



**SEA**<sup>®</sup>  
electronic opening system

## Storm 24V

Electromechanical low voltage 24V barrier



Systems for barriers



- New design for the electromechanical low voltage 24v barrier for light duty use
- Equipped with: bright cord and traffic light, placed on the protection of the beam fixation ( optional)
- Rubber buffer strip in case of contact with an obstacle(optional)
- High level finishing for a more functional and winning design
- Available in different lengths: from 5 to max. 7 meters
- Battery back-up up to 100 cycles in case of power failure
- Speed adjustable
- Casing pre-drilled for photocells SUNSET and KEY PLUS
- Control board : GATE 1 24V, USER 2 24V
- Slow down speed adjustable in opening and closing
- Mechanical and electronic limit switch.

# Storm

## TECHNICAL SPECIFICATIONS

Specifications	Storm 24V
Power supply	230Vac
Motor power	220W
Frequence of use	70%
Cycles /hour	4 - 8 s
Operation temperature	from -20°C to +55°C
Weight	60 Kg
Max leaf length	from 5 to 7 mt
Protection class	IP55

Easy release system  
with key in case of  
power failure

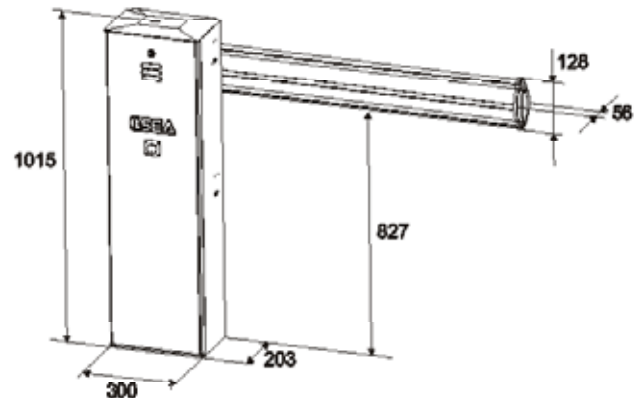


### Gate 1 24V (Storm 24V)

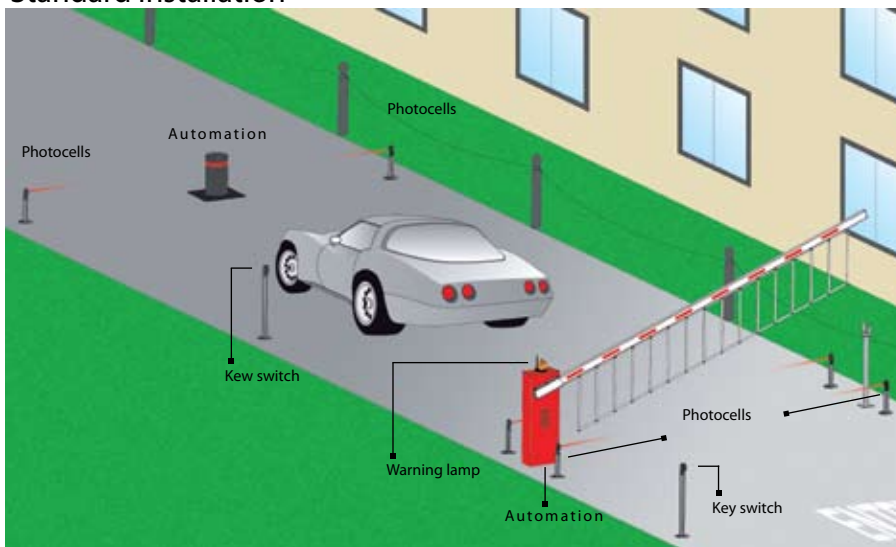
- Administration of one 24V motor
- Automatic, semiautomatic, step-by-step 1, step by step 2
- Anti-crushing intervention sensibility adjustment
- Motor speed adjustment
- Ammeter function for obstacles
- Working times self-learning
- Auto-test on photocell
- Auto-diagnostic
- Auto-adjustment of the parameters varying with the time
- Diagnostic leds on all in-/outputs
- Warning lamp administration with pre-flashing
- Extractable connecting board
- Connector for plug in receiver SIGNAL series
- Management back up battery (optional)
- Management limit switch
- Management stop
- Connector for photocells WALL and SUNSET
- Option light / heavy gate
- Photocells in opening and closing
- Timer management
- Adjustable pause
- Pedestrian administration
- Security reverser
- Courtesy light and control lamp administration

### User 2 24 V

- Administration of 2 24V motors with or without limit switch
- Adjustable slow down in opening and closing
- Motor speed adjustment
- Pedestrian opening
- 24V warning lamp on bord
- Electric lock administration
- Emergency battery administration and solar panel
- Working time self-learning
- Incorporated radio decoding compatible with radio transmitter SMART, HEAD, COCCINELLA series and SMART E-COPY (800 users) with optional radio frequency module (RF)
- Ammeter function to reveal obstacles
- Simplified programming with push buttons
- Leaf delay adjustment
- Bus accessories management
- Limit switch management
- Self-diagnostic
- Additional adjustable with PALM USER device
- Gate overlapping control
- Security edge administration
- Pause adjustment



## Standard installation



Zona Industriale S. Atto (TERAMO) ITALIA  
Tel. +39 0861 588341 r.a. Fax +39 0861 588344  
seacom@seateam.com - www.seateam.com

SERVIZIO CLIENTI  
**840-000-440**

