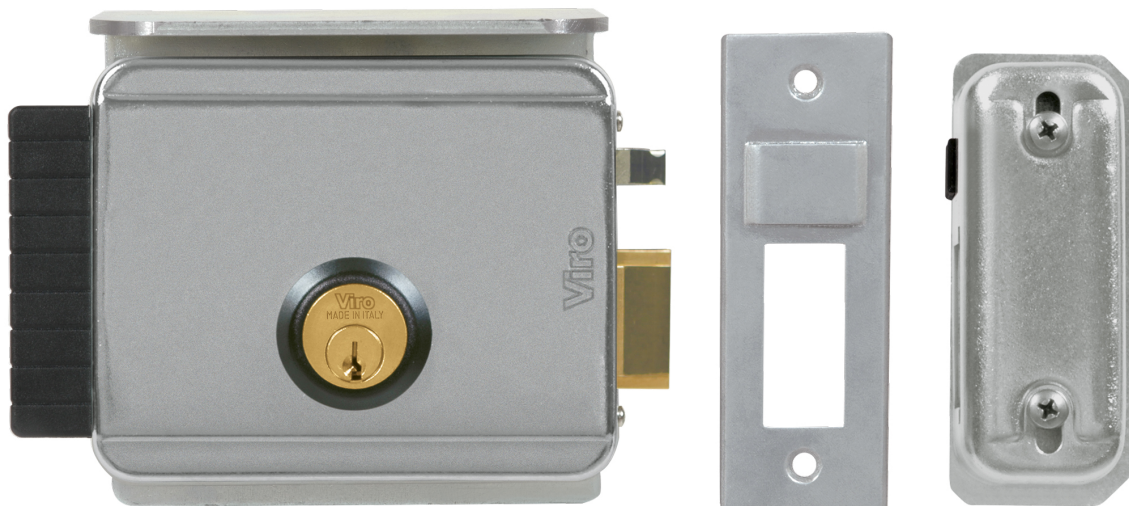
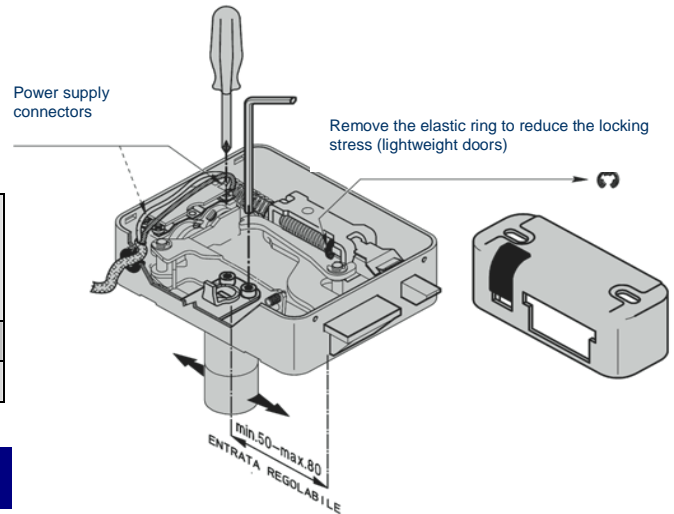


Viro[®]



“V97” ADJUSTABLE BACKSET FROM 50 TO 80 MM

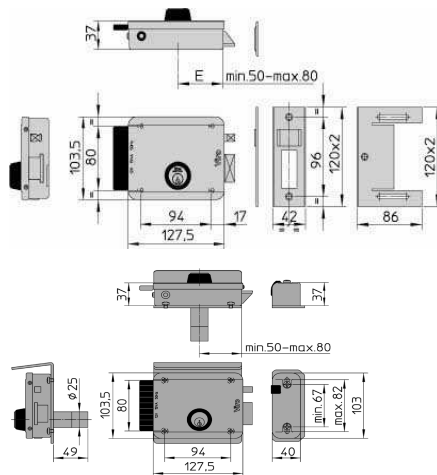
- **Interchangeable with the most already installed electric locks**, thanks to the same universal fixing holes **and maintaining installed the same striker**.
- Self locking latch in the locked position.
- The ejector is separated from the latch to ensure the correct working of the lock, even if there is vertical adjustment between lock and the striker up to +/- 6 mm.
- Very easy installation:
 - ✓ **perfectly adjustable backset from 50 to 80 mm** (the electric locks supplied from the competitors do not include this technical feature);
 - ✓ **vertically adjustable striker**, with self-lubricating nylon support opposite the ejector;
 - ✓ for the versions with external opening **stiker inox steel**.
- If installed on lightweight doors or gates, the locking stress can be reduced by removing an elastic ring from the inside of the lock.
- **Keys:** supplied with 3 Viro profile nickel-plated brass keys. Versions available with universal profile keys to replace the most common electric locks already installed without the need to withdraw keys in use.



	ITEM No.	Backset mm E	Lock dimensions mm	Internal cylinder (fixed) Item No.	External cylinder (fixed) Item No.	Unit weight g
Right	8992.1	50 ÷ 80	127,5 x 103,5	791	794	2165
Left	8992.2	50 ÷ 80	127,5 x 103,5	791	794	2165

For versions with universal profile keys the item code should be followed by: **.UN**

“V97” EXTERNAL OPENING ONLY CYLINDER

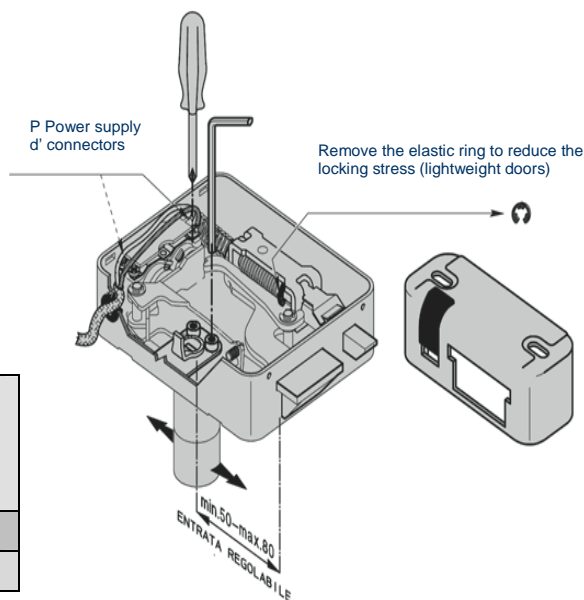
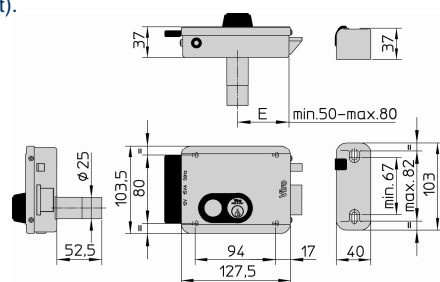


	ITEM. No.	Backset mm. E	Lock dimensions mm.	Internal cylinder (fixed) Item. N.	External cylinder (fixed) Item. N.	External cylinder (loose) Item. N.	Unit weight gr.
Painted versions with galvanised base							
Right	8963.712.1	50-60-70-80	127,5 x 103,5	791	-	712	1400
Left	8963.712.2	50-60-70-80	127,5 x 103,5	791	-	712	1400
Fully galvanised versions with galovanised roof-plate (art. 8992.0600) in galvanised steel							
Right	8993.794.1	50-60-70-80	127,5 x 103,5	791	794	-	2000
Left	8993.794.2	50-60-70-80	127,5 x 103,5	791	794	-	2000

For versions with universal profile keys the item code should be followed by: **.UN**

“V97” WITH PUSH BUTTON AND ADJUSTABLE BACKSET FROM 50 TO 80 MM

- **Interchangeable with the most already installed electric locks**, thanks to the same universal fixing holes **and maintaining installed the same striker**.
 - Self locking latch in the locked position.
 - The ejector is separated from the latch to ensure the correct working of the lock, even if there is vertical adjustment between lock and the striker up to +/- 6 mm.
 - By rotating the key from the inside, it is possible to:
 - ✓ block or activate the button function;
 - ✓ block or activate the “dogging device” function (possibility to keep the lock always open, if required).
- Very easy installation:
- ✓ **perfectly adjustable backset from 50 to 80 mm** (the electric locks supplied from the competitors do not include this technical feature);
 - ✓ **vertically adjustable striker**, with self-lubricating nylon support opposite the ejector;
 - ✓ for the versions with external opening **stiker inox steel**.
- If installed on lightweight doors or gates, the locking stress can be reduced by removing an elastic ring from the inside of the lock.
 - **Keys:** supplied with 3 Viro profile nickel-plated brass keys.
Versions available with universal profile keys to replace the most common electric locks already installed without the need to withdraw keys in use.
(Cylinders can be re-keyed with keying kit).



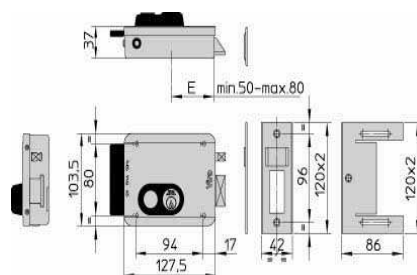
	ITEM No	Backset mm E	Lock dimensions mm	Internal cylinder (fixed) Item No.	External cylinder (fixed) Item No.	Unit weight g
Right	8972.1	50 ÷ 80	127,5 x 103,5	791	794	1535
Left	8972.2	50 ÷ 80	127,5 x 103,5	791	794	1535

For versions with universal profile keys the item code should be followed by: .UN

“V97” EXTERNAL OPENING WITH BOTTON



	ITEM No	Backset mm. E	Lock dimensions mm.	Internal cylinder (fixed) Item No.	External cylinder (loose) Item No.	Unit weight gr.
Right	8973.712.1	50-60-70-80	127,5 x 103,5	791	712	1450
Left	8973.712.2	50-60-70-80	127,5 x 103,5	791	712	1450



For versions with universal profile keys the item code should be followed by: .UN