



SEA[®]
electronic opening system

Flipper

Irreversible electromechanical swing gate operator
for large pillars
(max leaf length 2 m - max weight 200 kg)



Systems for
swing gates



- Adequate for installations where the max dimensions between pivot of the gate and fixation wall of the operator is smaller than 33 cm
- Max length of only 16 cm for installations in reduced spaces
- Mechanical limit switches, adjustable in opening and closing. On request electronic limit switch
- Low voltage power supply for higher safety and easy adjustment of speed and obstacle detection
- Battery back-up in case of power failure available
- External manual release with cable and security box, available on request
- Safety micro-switch to disconnect power supply when using manual release (optional)
- Built in User2 24V control panel with push button programming for easy use

Flipper

TECHNICAL SPECIFICATIONS

Specifications	Flipper 24V
Power supply	230 Vac±5% 50/60 Hz
Motor power	145 W
Shaft Stroke	-
Cycles/hour	20
Oper. temperature	From -20 °C to + 55 °C
Weight	9 Kg
Max leaf length	2 m
Opening degrees	110 °
Shaft speed	-
Angular speed	12°/s
Protection class	IP 44
Starting capacitor	-
Max thrust	180 daN



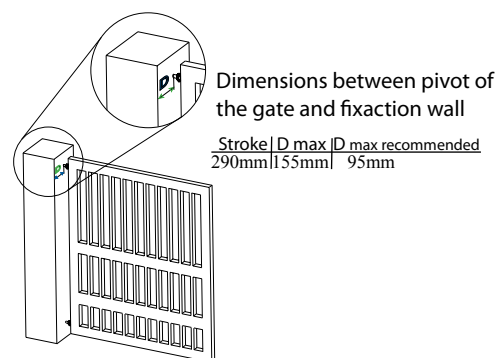
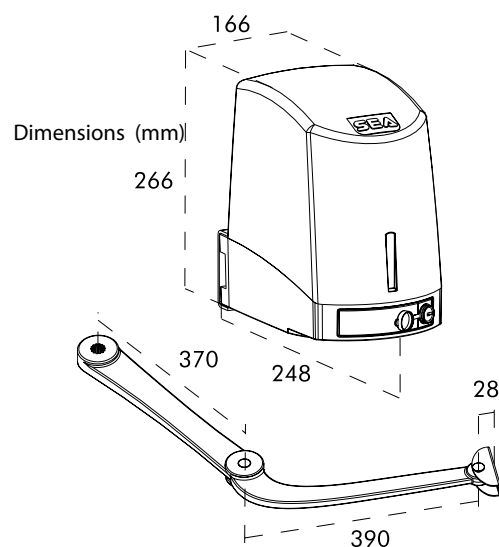
Release system through aluminium lever and security lock



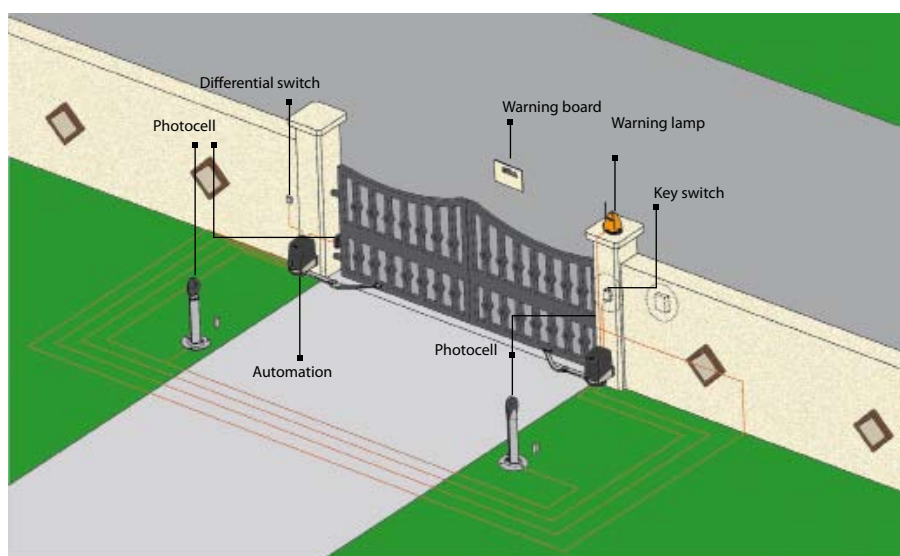
Adjustable mechanical and electronic limit switches in opening and closing

User 2 24V

- Administration of 2 24V motors with or without limit switch
- Adjustable slow down in opening and closing
- Motor speed adjustment
- Pedestrian opening
- 24V warning lamp on bord
- Electric lock administration
- Emergency battery administration and solar panel
- Working time self-learning
- Incorporated radio decoding compat. with radio transmitter SMART, HEAD, COCCINELLA series and SMART E-COPY (800 users) with optional radio frequency modulo (RF)
- Ammeter funcion to reveal obstacles
- Simplified programming with push buttons
- Leaf delay adjustment
- Functioning motors' speed
- Bus accessories management (photocells and lamp)
- Limit switch management
- Self-diagnostic
- Additional adjustable with PALM USER device
- Administration pause
- Security edge management
- Leaf overlapping control



Standard installation



Zona Industriale S. Atto (TERAMO) ITALIA
Tel. +39 0861 588341 r.a. Fax +39 0861 588344
seacom@seateam.com - www.seateam.com

SERVIZIO CLIENTI
840-000-440

