



SEA[®]

Sistemi Elettronici
di Apertura Porte e Cancelli
International registered trademark n. 804888

English

HYDRAULIC SWING GATE OPERATOR

HALF TANK



INSTALLATION MANUAL and security information

SEA S.r.l.
Zona Ind. S.Atto 64020 TERAMO Italy
Tel. +39.0861.588341 - Fax+39.0861.588344

e-mail: seacom@seateam.com
WEB SITE : www.seateam.com

CHARACTERISTICS AND SPECIFICATIONS

The **HALF TANK 100** and **HALF TANK 200** products are two high quality hydraulic operators for condominium use for leaf lengths up to respectively 6 and 7 meters with electric lock.

Available in the following versions:

AC (with lock in opening and closing)

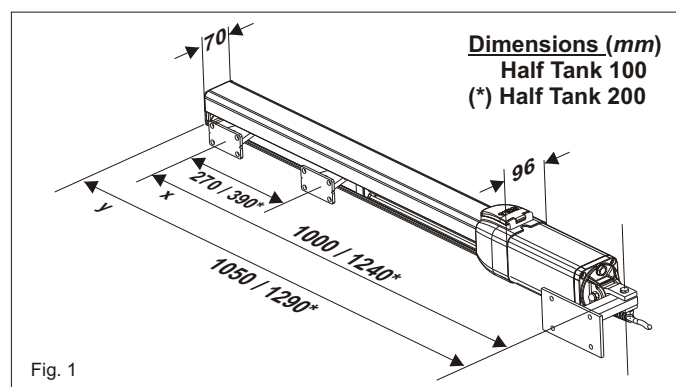
SC (with lock only in closing)

SA (with lock only in opening)

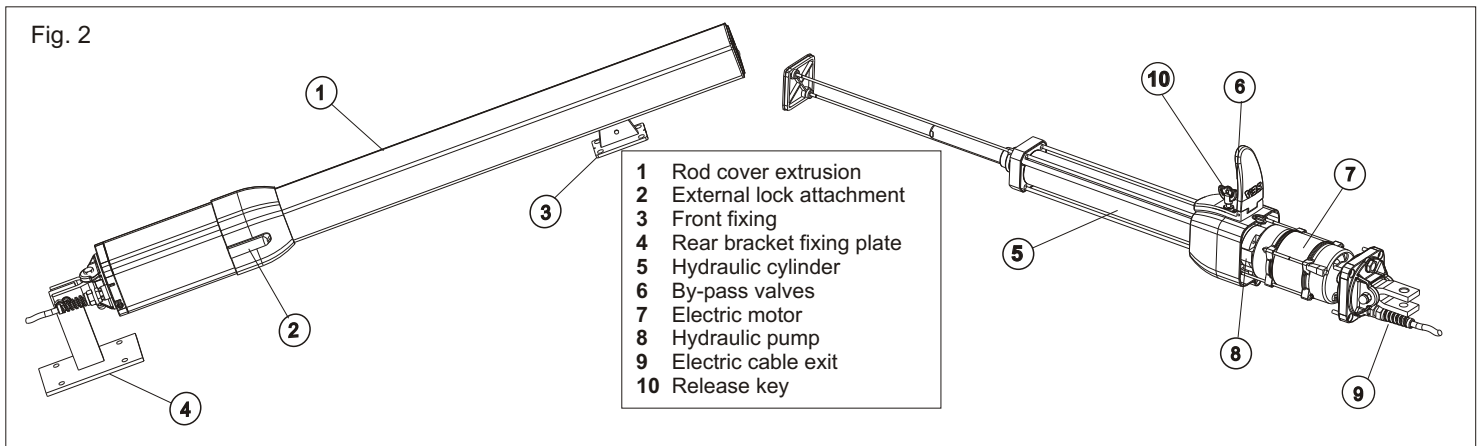
SB (without lock)

Hydraulic locking is guaranteed on gates with length up to 1.80 m with the Half Tank 100 operator while for lengths up to 2.20 m use the Half Tank 200. An electric lock should be used for leaves (in all versions) exceeding those lengths.

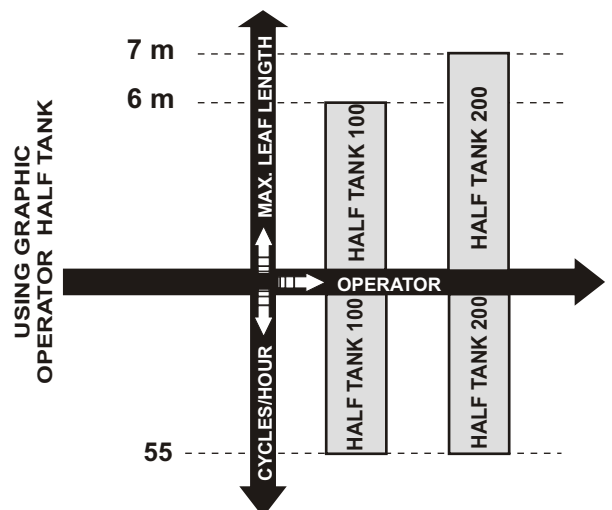
Both products Half Tank 100 and 200 are provided with by pass valves for the force adjustment in both opening and closing. The slowdown in opening and closing is electronically carried out by the GATE 2 control unit. Following the rules and normatives valid in the European countries it is strongly recommended to use a Safety Gate. (Device for the reading of the exact gate position), necessary for the inversion of the leaf in case of obstacles.



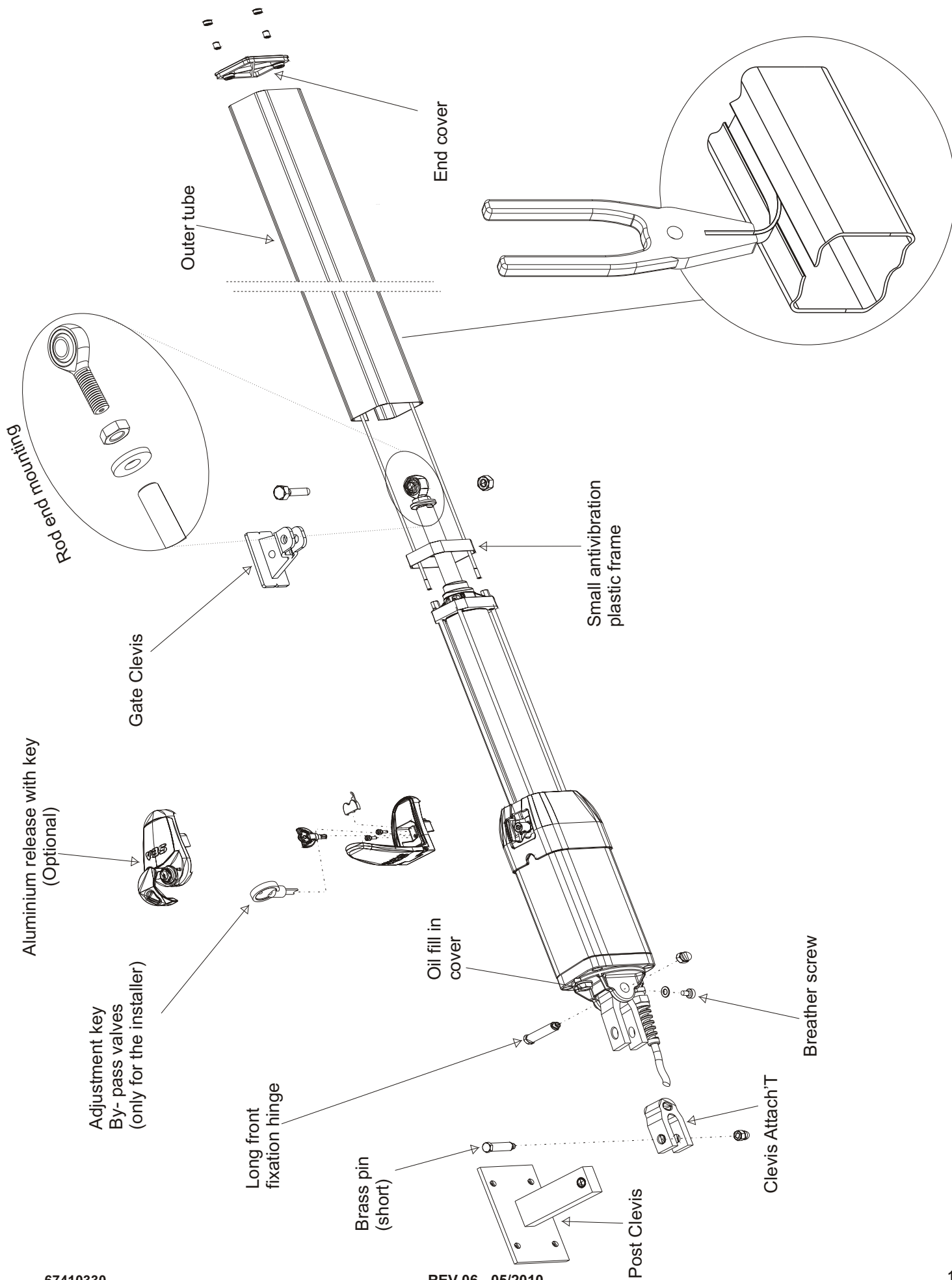
NOTE: Version with slow down in closing. + 25 mm in x and y.



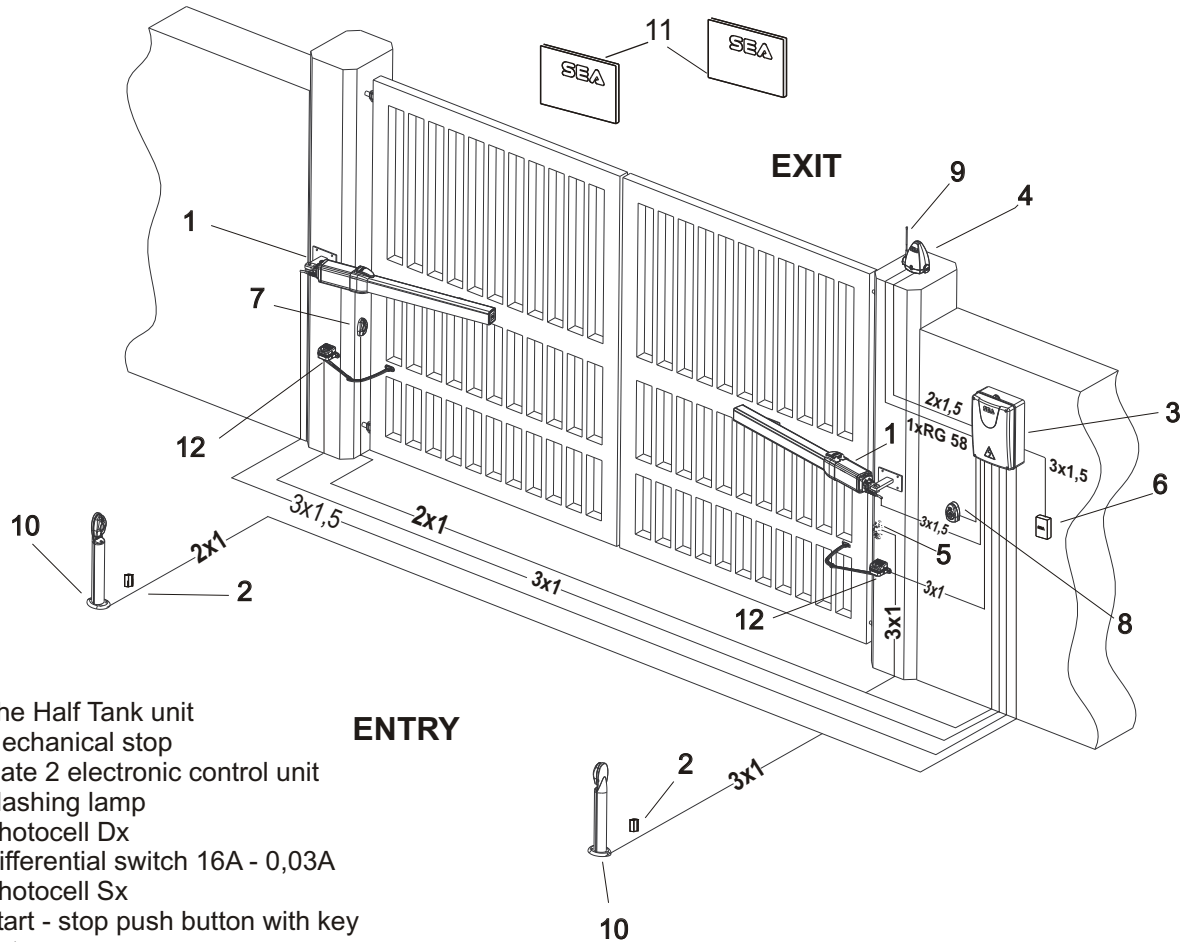
| TECHNICAL DATA | HALF TANK 100 | HALF TANK 200 |
|----------------------------|----------------------|---------------|
| Power supply | 230 V (±5%) 50/60 Hz | |
| Force | 220 W | |
| Absorbed current | 1 A | |
| Stroke | 270 mm | 390 mm |
| Cycle/hour (temp. of 20°C) | 55 | |
| Max working pressure | 40 bar | 30 bar |
| Operating temperature | -40°C / +60°C | |
| Motor thermal protection | 130°C | |
| Max. thrust | 640 daN | 470 daN |
| Capacity | 12,5µF | |
| Weight | 11,4 kg | 13,6 kg |
| Protection | Ip55 | |
| Max. Leaf length | 6 m | 7 m |
| Leaf opening degree | 90° - 125° | |



Note: The frequency of use is valid only for the first hour at 20°C room temperature.

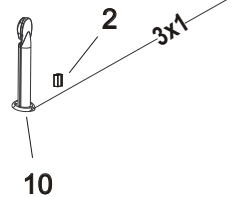


STANDARD INSTALLATION



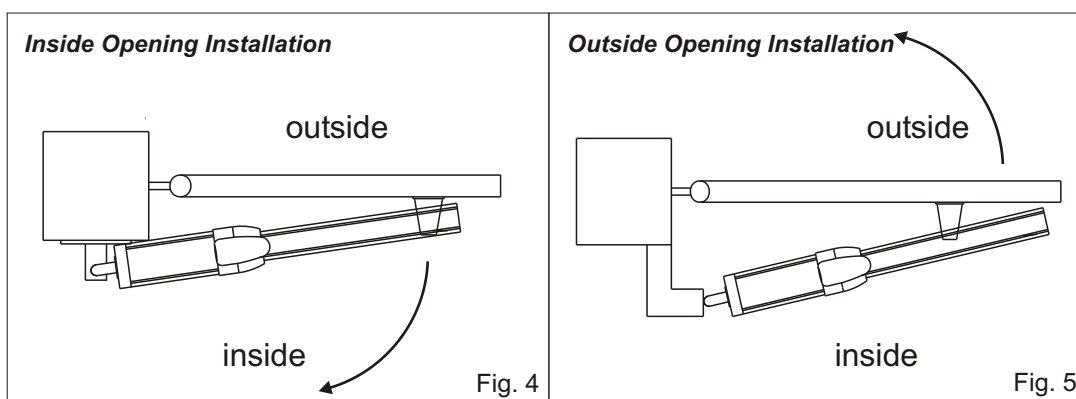
- 1) The Half Tank unit
- 2) Mechanical stop
- 3) Gate 2 electronic control unit
- 4) Flashing lamp
- 5) Photocell Dx
- 6) Differential switch 16A - 0,03A
- 7) Photocell Sx
- 8) Start - stop push button with key
- 9) Antenna
- 10) Support for photocells with photocells
- 11) Warning notice
- 12) Safety Gate

ENTRY



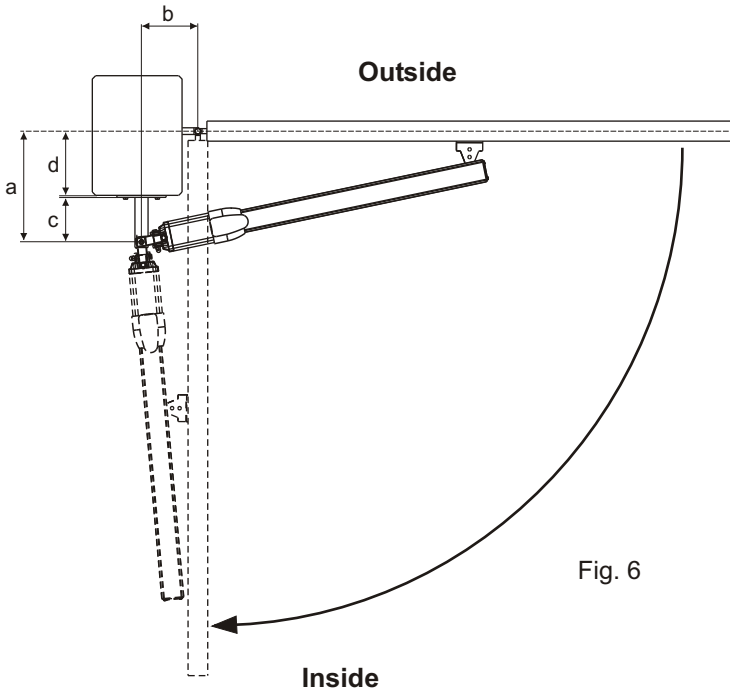
INSTALLATION TYPE

It is possible to install the Half Tank with the opening towards the inside (Fig. 4) or towards the outside (Fig. 5).



!
Install the operator always
on the inside of the
property

INSIDE OPENING INSTALLATION

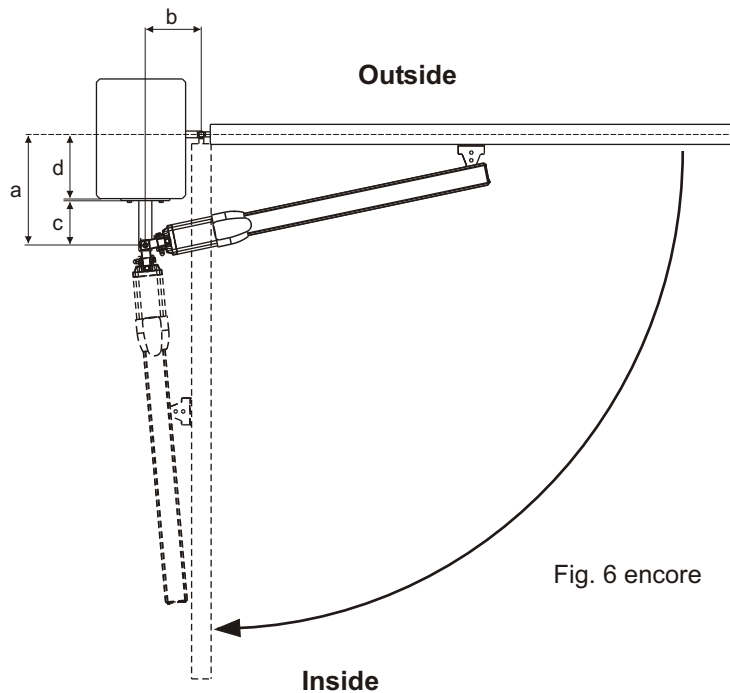


Total stroke 270 mm - max. recommended stroke 250 mm

| a (mm) | b (mm) | d _{max} (mm) | Max. Opening Angle | Max. Stroke (mm) | Stroke for 90° (mm) |
|--------|--------|-----------------------|--------------------|------------------|---------------------|
| 100 | 115 | 50 | 110° | 250 | 215 |
| 100 | 150 | 50 | 90° | 250 | |
| 105 | 110 | 55 | 110° | 245 | 215 |
| 105 | 145 | 55 | 90° | 250 | |
| 120 | 105 | 70 | 106° | 250 | 225 |
| 120 | 130 | 70 | 90° | 250 | |
| 125 | 125 | 75 | 90° | 250 | |
| 140 | 95 | 90 | 100° | 250 | 235 |
| 140 | 110 | 90 | 90° | 250 | |
| 145 | 95 | 95 | 100° | 255 | 242 |
| 145 | 105 | 95 | 90° | 250 | |
| 150 | 100 | 100 | 90° | 250 | |
| 155 | 85 | 105 | 96° | 250 | 242 |
| 160 | 90 | 110 | 90° | 253 | |
| 170 | 75 | 120 | 92° | 250 | |
| 180 | 65 | 130 | 92° | 250 | |

To obtain 110° with d > 55 mm it is necessary to make a niche in the gate.

INSIDE OPENING INSTALLATION

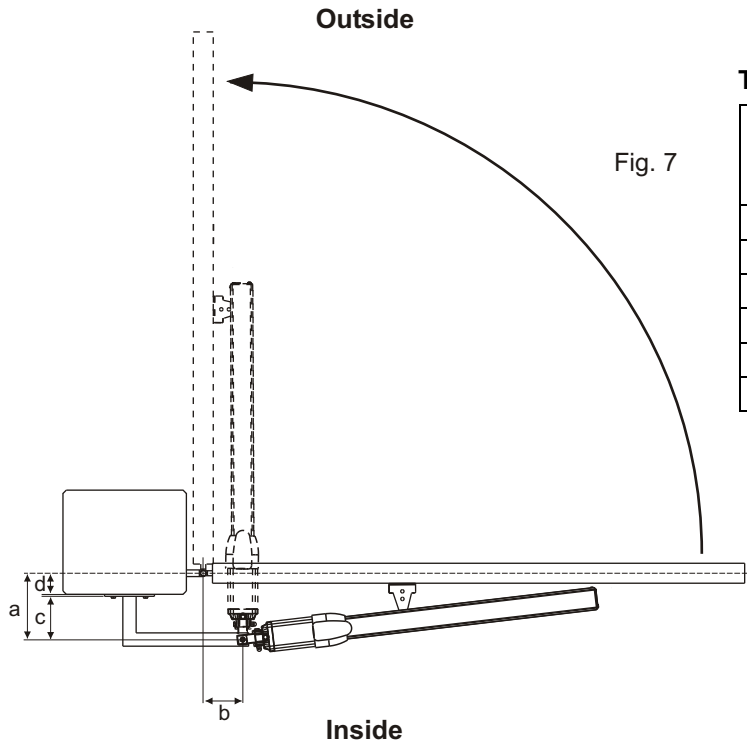


Total stroke 390 mm - max. recommended stroke 370 mm

| a (mm) | b (mm) | d _{max} (mm) | Max. Opening Angle | Stroke max (mm) | Stroke for 90° (mm) |
|--------|--------|-----------------------|--------------------|-----------------|---------------------|
| 125 | 170 | 75 | 125° | 368 | 295 |
| 130 | 170 | 80 | 125° | 372 | 300 |
| 140 | 235 | 90 | 90° | 370 | |
| 145 | 165 | 95 | 120° | 372 | 310 |
| 145 | 230 | 95 | 90° | 370 | |
| 160 | 210 | 110 | 90° | 370 | |
| 175 | 195 | 120 | 90° | 370 | |
| 185 | 145 | 130 | 110° | 370 | 330 |
| 185 | 190 | 130 | 90° | 370 | |
| 195 | 140 | 140 | 110° | 371 | 355 |
| 195 | 175 | 140 | 90° | 370 | |
| 240 | 110 | 185 | 100° | 370 | 355 |
| 240 | 125 | 185 | 90° | 370 | |
| 250 | 105 | 195 | 95° | 370 | 360 |
| 250 | 115 | 195 | 90° | 370 | |
| 260 | 95 | 205 | 95° | 369 | 365 |
| 260 | 100 | 205 | 90° | 370 | |
| 270 | 90 | 215 | 90° | 370 | |
| 280 | 80 | 230 | 90° | 370 | |
| 295 | 65 | 245 | 90° | 369 | |

To obtain 125° with d > 55 mm it is necessary to make a niche in the gate.

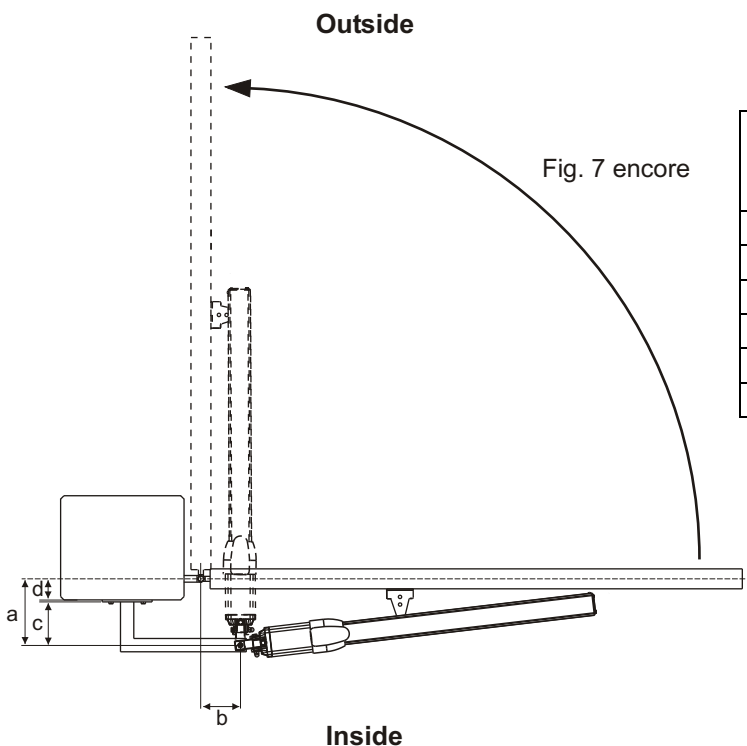
OUTSIDE OPENING INSTALLATION



Total stroke 270 mm - max. recommended stroke 250 mm

| a (mm) | b (mm) | Max. Opening Angle | Stroke max (mm) | Stroke for 90°(mm) |
|--------|--------|--------------------|-----------------|--------------------|
| 150 | 90 | 95° | 250 | 240 |
| 160 | 90 | 90° | 250 | |
| 165 | 80 | 95° | 249 | 243 |
| 175 | 80 | 90° | 250 | |
| 180 | 70 | 90° | 250 | |
| 180 | 65 | 90° | 241 | |

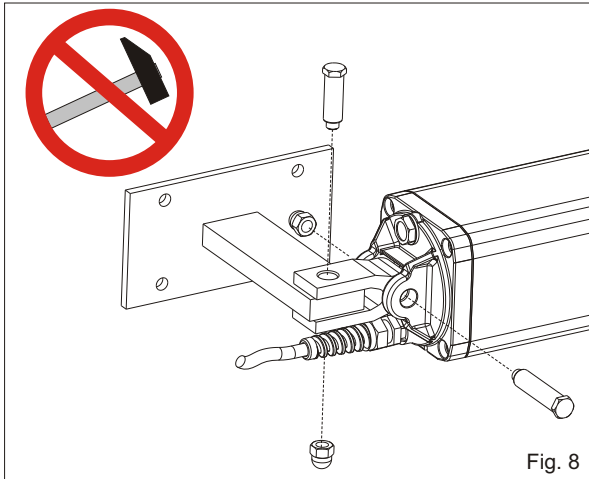
OUTSIDE OPENING INSTALLATION



Stroke 390 mm - max. recommended stroke 370 mm

| a (mm) | b (mm) | Max. Opening angle | Max. Stroke (mm) | Stroke for 90°(mm) |
|--------|--------|--------------------|------------------|--------------------|
| 250 | 100 | 100° | 356 | 342 |
| 255 | 95 | 95° | 345 | 336 |
| 265 | 95 | 95° | 342 | 335 |
| 270 | 90 | 90° | 330 | |
| 275 | 90 | 90° | 325 | |
| 275 | 90 | 90° | 319 | |

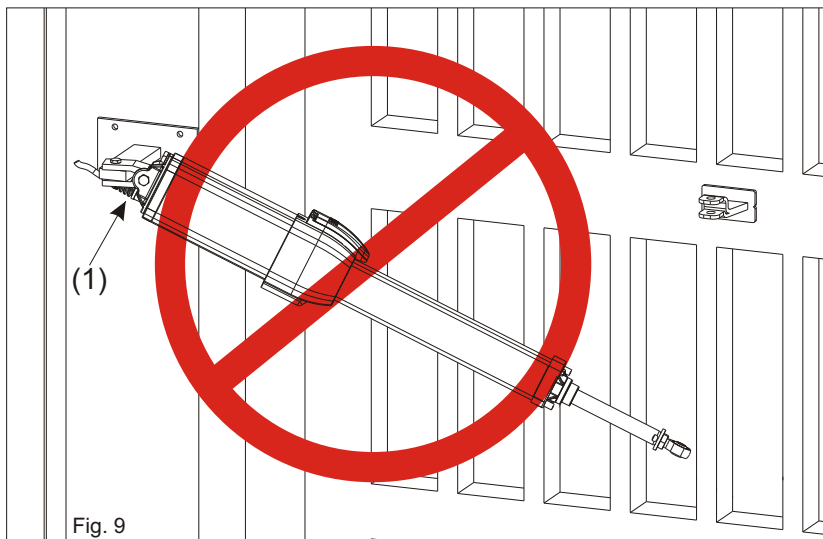
OSCILLATING FORK INSTALLATION



PRELIMINARY

- Open the package carefully, paying attention to not lose the parts reported in fig.3
- Fix the oscillating fork as in fig.9

Attention: do not use the hammer to insert the short brass pivot; the insertion of the pivot into the fork and bracket must be made simply by hand pressure.



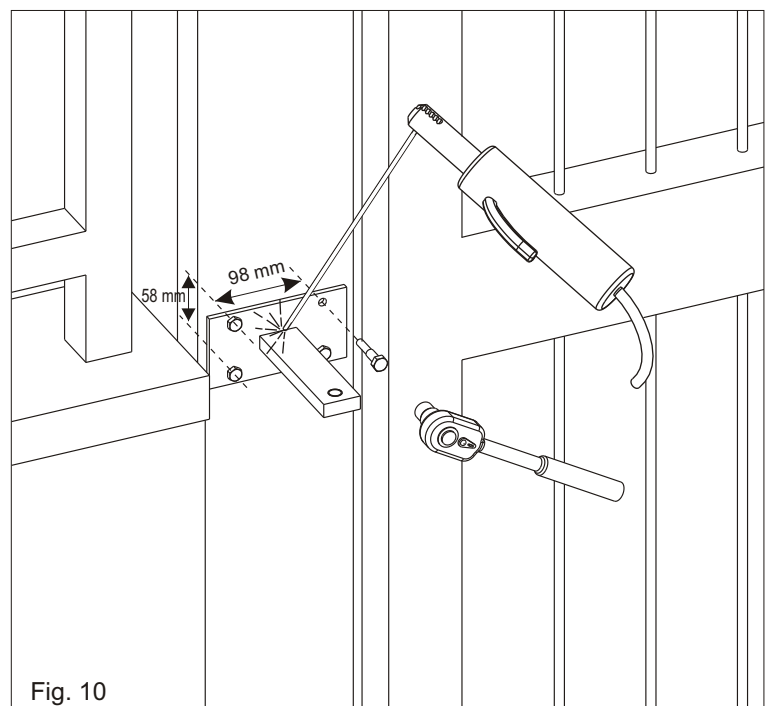
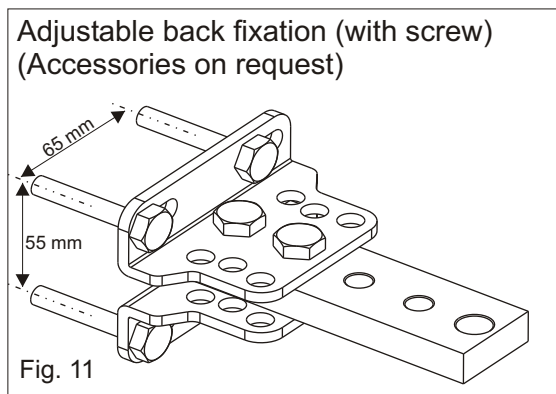
Attention

Do not incline the hydraulic operator further than the allowed angle from the oscillating fork (1), could cause the braking of it (1)

BACK FIXATION MOUNTING

According to the chosen opening type (inside or outside) and according to the chosen max. rotation of the leaf (see page 21) the bracket must be first cut respecting the mesurment "a" on pag. 21 and than welded as in fig.10.

The support must be positioned so that the operator is in perfect horizontal position (Fig. 10 ,Fig.12).

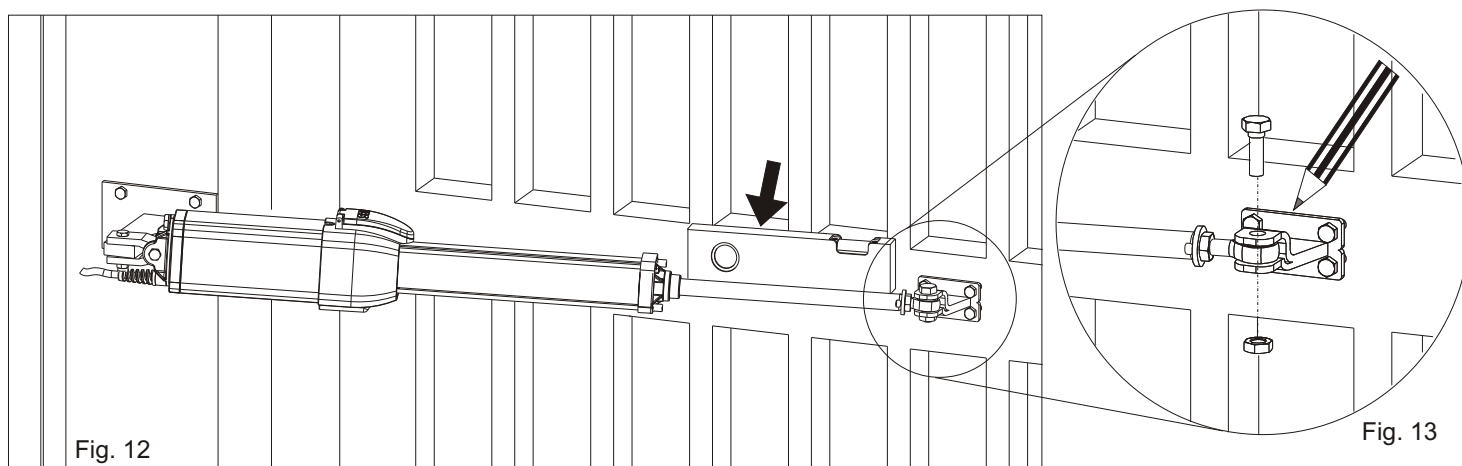


POSITIONING OF THE FRONT FIXATION

Once the operator has been mounted on the back fixation close the leaf and do as follows:

- 1) Release the operator (as in Fig. 29)
- 2) Pull out completely the chromium plated rod, **afterwards bring it back about 1 cm**
- 3) Fix the rod on the front fixation (Fig. 13)
- 4) Position the operator perfectly horizontal and mark the position of the front fixation (Fig. 12)

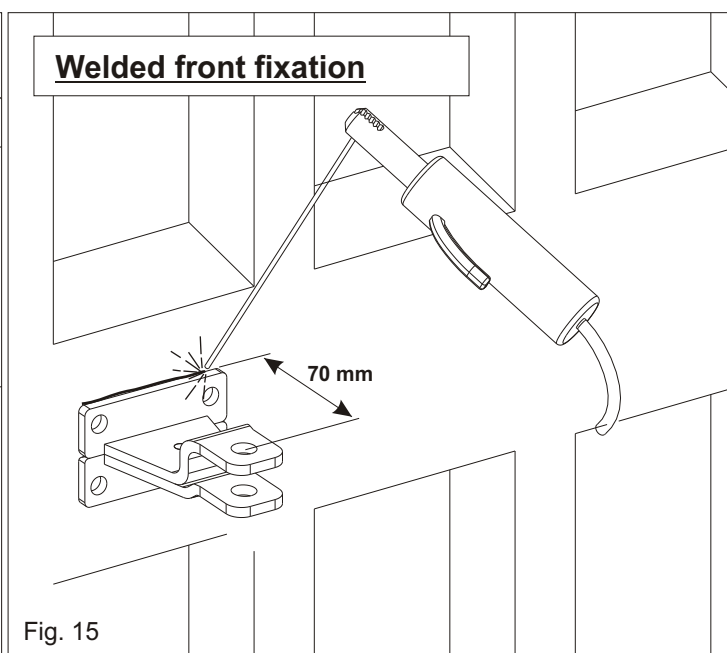
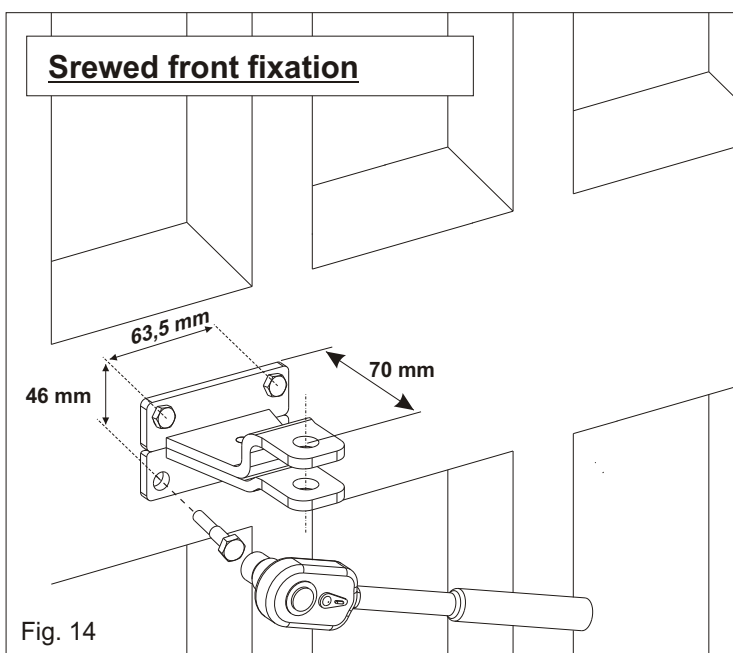
Attention: Avoid the welding of the front fixation to the rod of the hydraulic operator already fixed as the welding residual (squirt) could ruin the chromium -plating of the rod.



WELDING OF THE FRONT FIXATION TO THE GATE

Mount the front fixation so that it guarantees the perfectly horizontal position of the operator. .

Depending on the type of the gate (wood, iron, aluminium) the front fixation can be welded or screwed



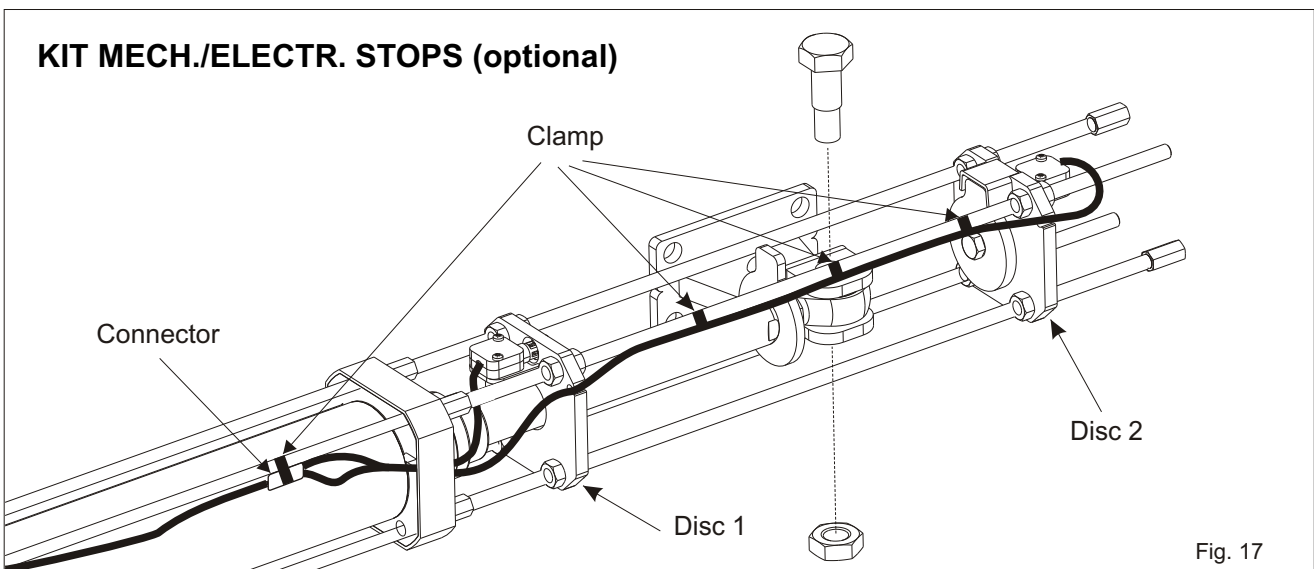
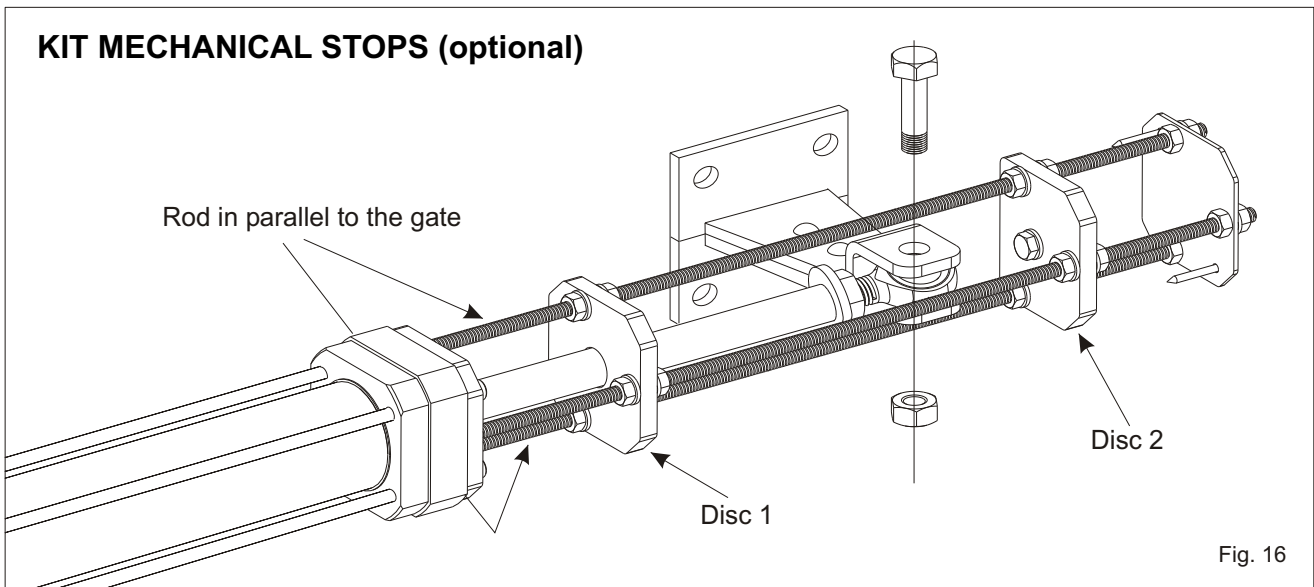
INSTALLATION OF THE MECHANICAL LIMIT SWITCH STOPS (Accessories on request)

- Release the unit (as in Fig. 29)
- Let the rod come out about 3/4 of its run
- Put the limit switch stops on the front flange of the unit with the two rods (of the three which are present on the stop) which are in parallel to the gate (Fig. 16)
- Fix the stop with the two included screws .

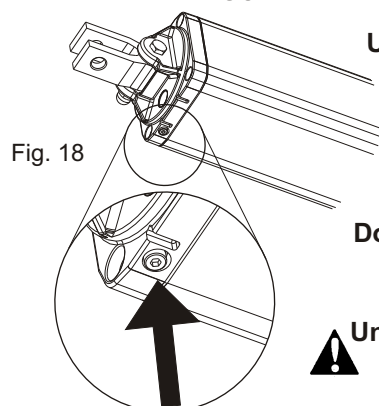
At this point hook the rod on the front fixation

- To adjust the stop in opening act on disc, and in closing on disc 2.

Attention : the mounting of the mechanical stop does not cause the reduction of the stroke

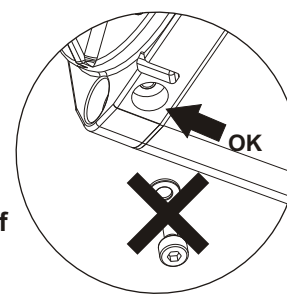


BREATHER SCREW



Up  **VERY IMPORTANT**
Take off the breather screw (lower part of the operator) after installation

Down  **Unscrew and take off at the end of the installation**



INSTALLATION OF THE CHROMIUM-PLATED ROD PROTECTION

Make sure to have inserted the antivibration plastic frame (A) before inserting the rod cover extrusion (Fig. 20)

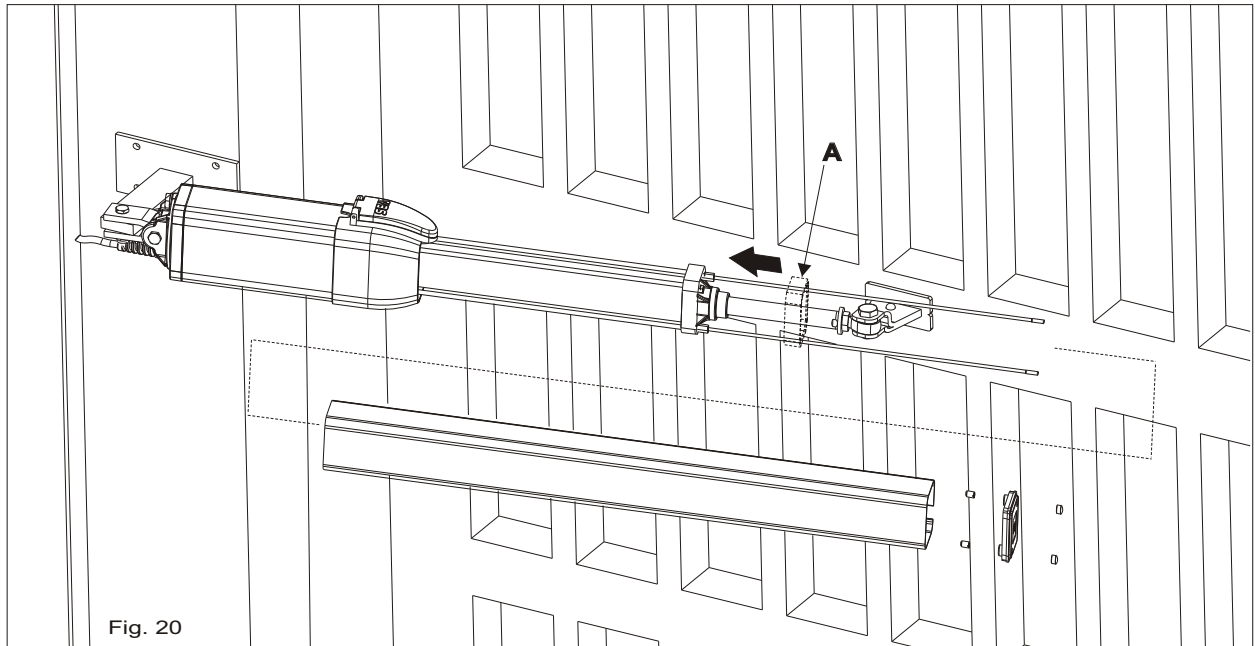


Fig. 20

TORQUE ADJUSTMENT (By-Pass Valves)

In case of first installation both, the cover of the release and the cover of the by pass valves must not yet be inserted. In this case refer to fig. 21 and fig.23. Should the by-pass valves adjustment be made in a second moment, because of periodical maintenance or other, take off the screw which locks the by-pass cover (fig. 22), take off the by-pass cover and adjust the pressure of the by-pass valves with the special key given to the installer free of charge (Fig. 23).

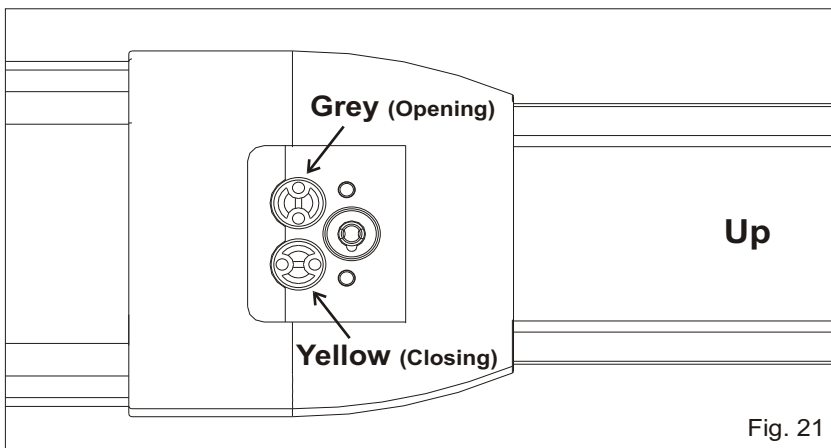


Fig. 21

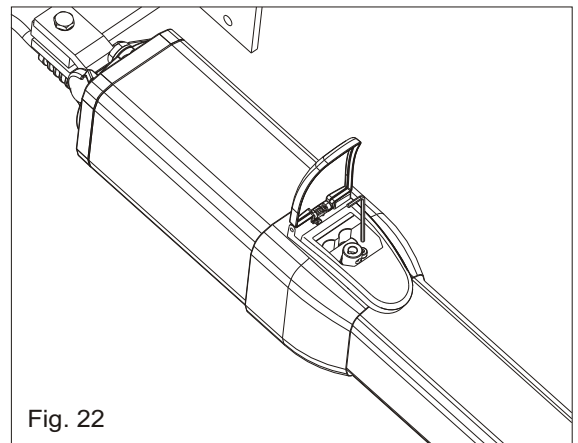
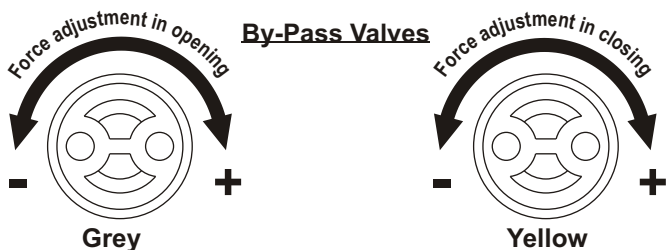


Fig. 22



Regulate the opening and closing forces of the gate respecting the force diagram (included in the En12453 normative); the thrust force however must not be superior then 15kgF.

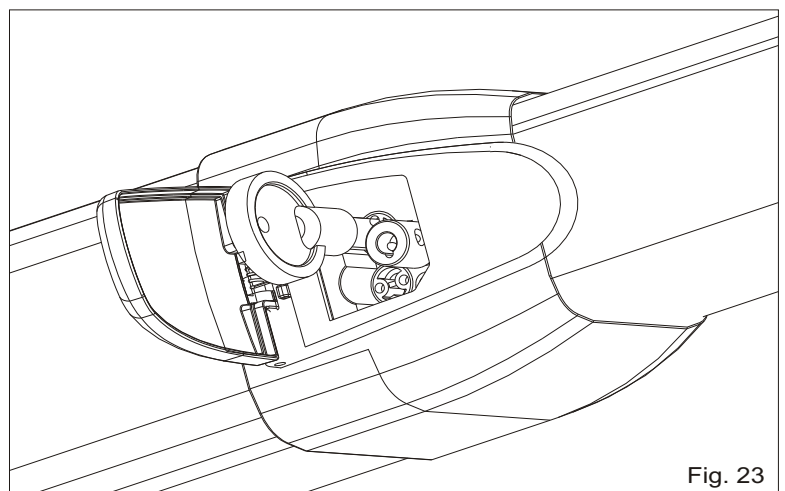


Fig. 23

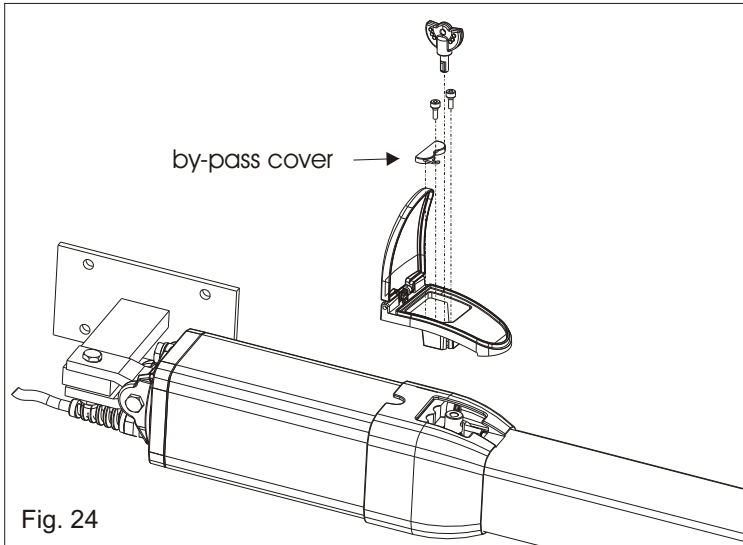


Fig. 24

PLASTIC RELEASE MOUNTING

ATTENTION: the mounting of the plastic release must be effectuated as shown in fig. 24 **only and exclusively** after having finished all the instalation operations, mounting of the rod cover and calibration of the by-pass valves.

ALUMINIUM RELEASE WITH KEY MOUNTING (accessory on request)

ATTENTION: The mounting of the aluminium release must be executed as shown in figure 25 only and exclusively after having finished all installation operations, the rod cover mounting and the calibration of the by pass valves.
The release key is kept in the inside of the aluminium release cover (see fig. 26)

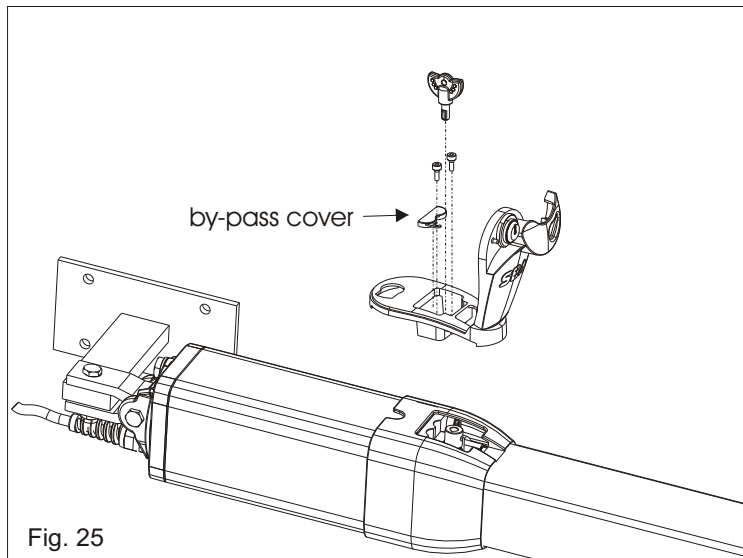


Fig. 25

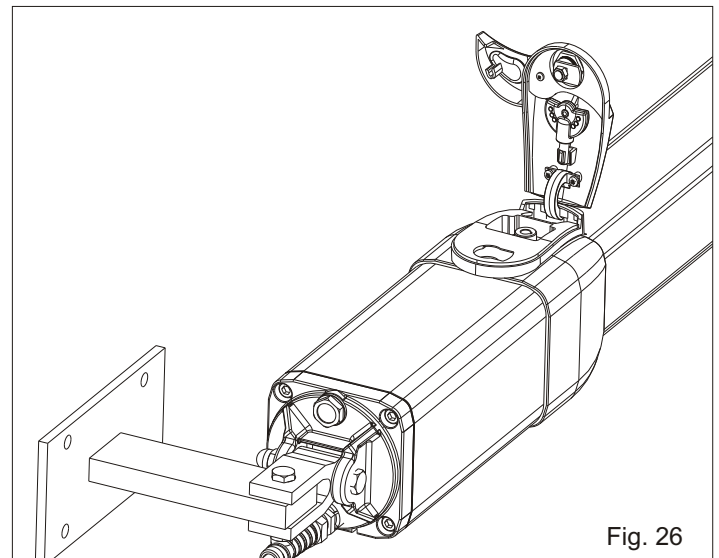


Fig. 26

EXTERNAL RELEASE MOUNTING (accessory on request)

ATTENTION: The mounting of the external release must be executed as shown in the figures 27 and 28. For more details refer to the mounting instructions in the external release mounting Kit for Half Tank.

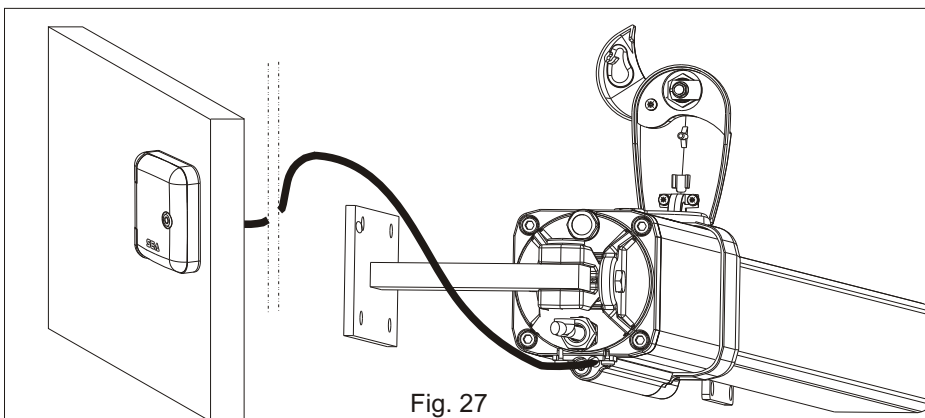


Fig. 27

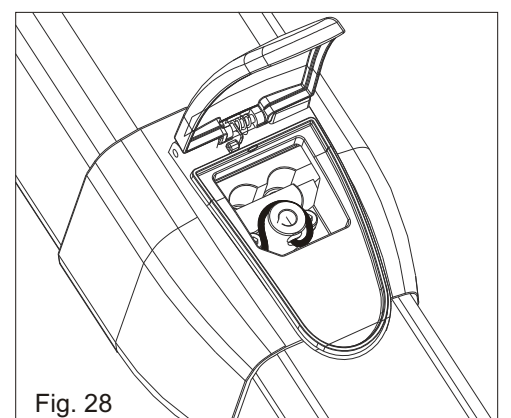


Fig. 28

To the attention of users and technicians

RELEASE SYSTEM

To release operate as follows:

-Insert the key and turn it about 180° anti-clockwise (Fig.29).

To relock the operator do as follows:

-Insert the key and turn it clockwise until it stops (Fig.29).

Attention: To release cut current supply

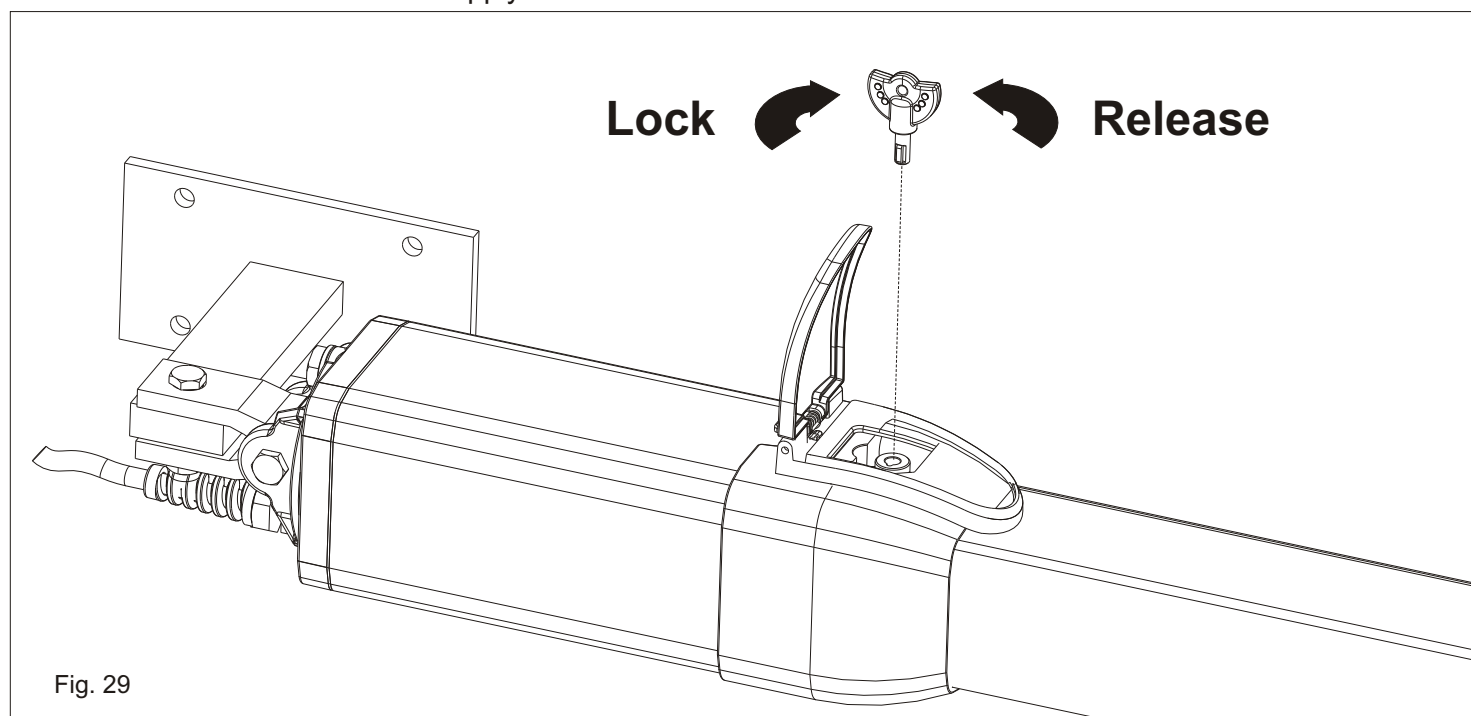


Fig. 29

PERIODICAL MAINTENANCE

| | |
|--|---------|
| 1) Check the robustness and the stability of the gate; particularly the leaning and/or rotation points of the gate (hinges). | Annual |
| 2) Check the oil level in the hydraulic/in oil bath operators (cap on the back cover of the Half Tank operator) | Annual |
| 3) Replace the hydraulic oil with the oil recommended by the producer | 4 Years |
| 4) Check the function of the release | Annual |
| 5) Check the function of the by-pass valves | Annual |
| 6) Check and grease the fixation pivots | Annual |
| 7) Check the integrity of the connecting cables | Annual |
| 8) Check the function and the conditions of the limit switch stops in opening and closing (where the mechanical stop accessory is present) | Annual |
| 9) Check the good status of all the apparatus which are subject to efforts (back fixation, oscillating fork, and front fixation) | Annual |
| 10) Check the functionality of all the accessories especially the function of all security devices and of the Safety Gate. | Annual |
| 11) After having executed the periodical maintenance it is necessary to repeat the test and to reactivate the automation. | Annual |

All the above mentioned operations must be executed by an authorised installer only.

To the attention of users and technicians

RISK EXAMINATION

The points indicated by arrows in Fig. 30 are potentially dangerous. The installer must take a thorough risk examination to prevent crushing, conveying, cutting, grasping, trapping so as to guarantee a safe installation for people, animals and things. As for misunderstandings that may arise refer to area distributor or call our help desk.

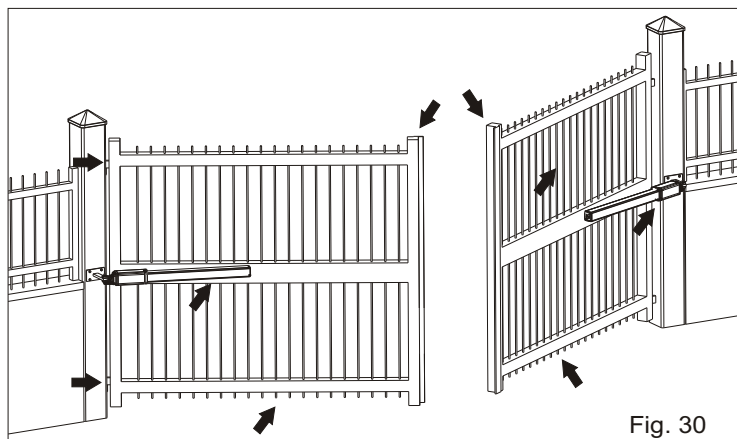


Fig. 30

These instructions are part of the device and must be kept in a well known place. The installer shall follow the provided instructions thoroughly. SEA S.r.l. products must only be used for the automation of doors, gates and wings. Any initiative taken without SEA S.r.l. explicit authorization will preserve the manufacture from whatsoever responsibility. The installer shall provide warning notices on not assessable further risks. SEA S.r.l. in its relentless aim to improve the production, is allowed to make whatsoever adjustment without giving notice. This does not oblige SEA S.r.l. to up-grade the past productions. SEA S.r.l. can not be deemed responsible for any damage or accident caused by product breaking, being damages or accident due to a failure to comply with the instructions herein. The

guarantee will be void and the manufacturer responsibility will be nullified if SEA S.r.l. original spare parts are not being used. The electric installation shall be carried out by a professional technician who will release documentation as requested by the laws in force. Packaging materials such as plastic bags, foam polystyrene, nails etc. must be kept out of children's reach as dangers may arise.

INITIAL CHECK AND PUTTING IN SERVICE

After having completed all necessary operations, for the correct installation of the product HALFTANK, described in the present manual and after having valued all resting risks which could arise in whatever installation **is necessary to test the automation to guarantee the max. security** and in particular way to guarantee the respect of what foreseen by the law and the normatives in force. In particular the test must be executed following the **EN12445** ruel which establishes the testing methods for the testing of the gate operators respecting the established limits by the **EN 12453** law.

SAFETY GATE

For a correct and safe installation it is strongly recommended to install the Safety Gate, **which allows the fulfilment of the force diagram included in the EN 12453** ruel and the testing of the putting in service and of the whole installation.

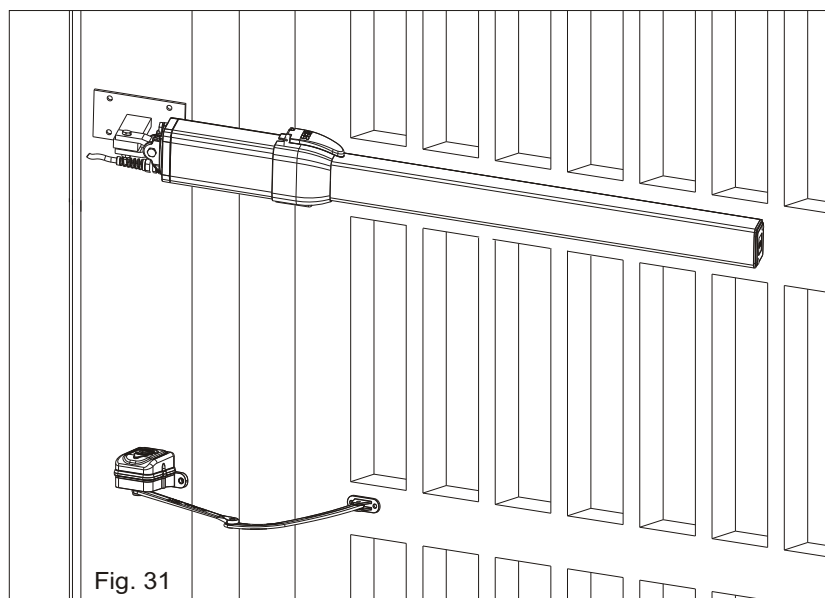


Fig. 31

NOTE: In case of installations as shown in the figure on the right it is possible to use the Safety Gate with a straight rod (solving the dimensions problem of the arm, see drawing on the left)

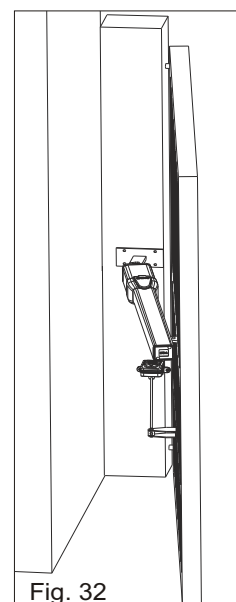
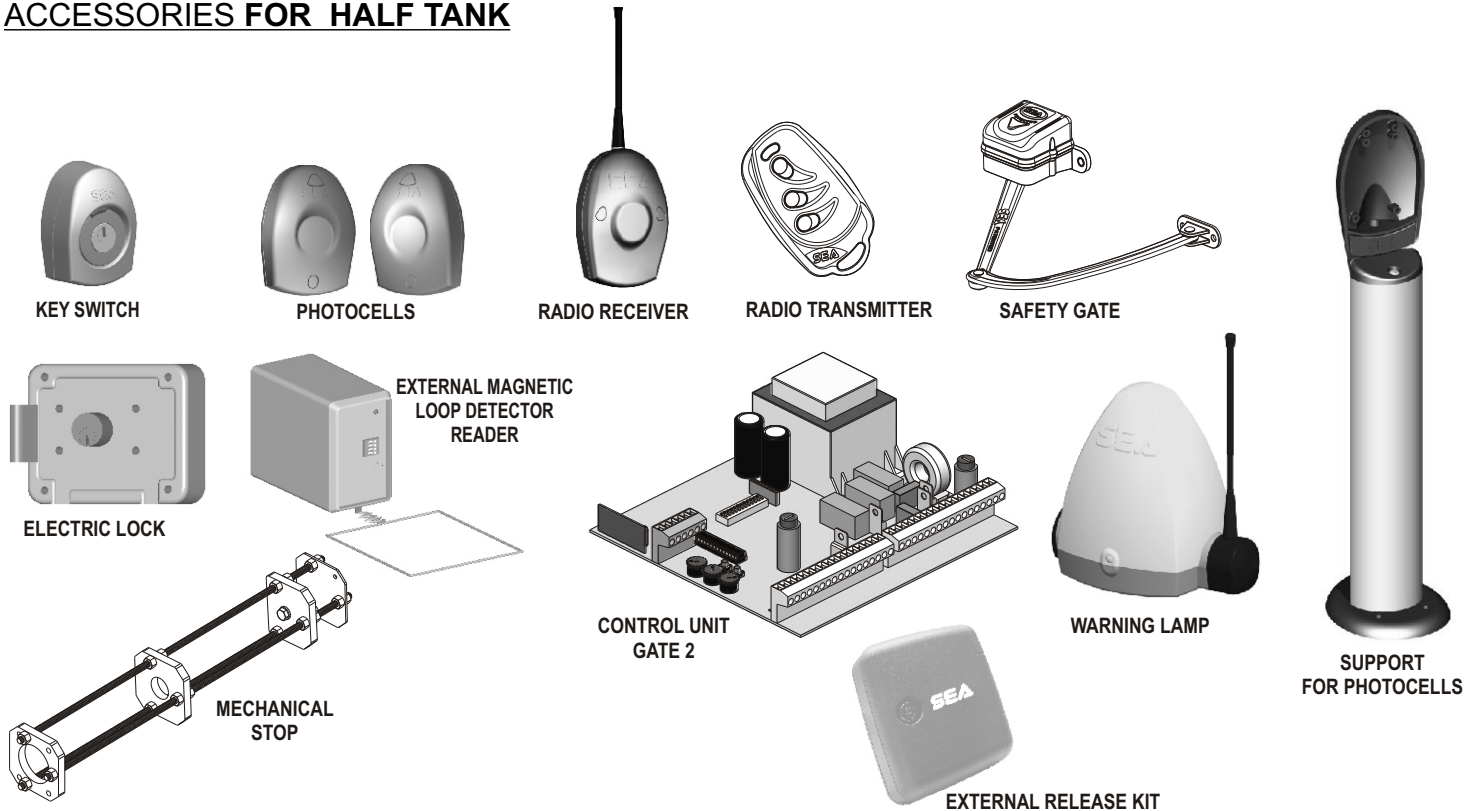


Fig. 32

To the attention of users and technicians

ACCESSORIES FOR HALF TANK



SAFETY PRECAUTIONS

All electrical installation work should conform to current regulations.

A 16A - 0,030A differential switch must be incorporated into the source of the gate main electrical supply and the entire system must be properly earth bonded.

Remember to separate mains (230/115 V) carrying cables from low voltage control cables.

INTENDED USE

The Half Tank in all his versions has been planned to be used exclusively for the automation of swing gates

SPARE PARTS

To obtain spare parts contact:

SEA s.r.l. ZONA Ind.le, 64020 S.ATTO Teramo Italia

SAFETY AND ENVIRONMENTAL COMPATIBILITY

Please dispose of the product and circuit packing materials in a responsible and appropriate way.

When being transported this product must be properly packaged and handled with care.

MAINTENANCE AND DECOMMISSION

The decommission and maintenance of this unit must be carried out by specialised and authorised personnel only.

LIMIT OF GUARANTEE

The Half Tank is guaranteed for a period of 36 months. The guarantee period starts from the date printed on the unit. The Half Tank guarantee will be void if the operator has been incorrectly installed, not used for the purpose intended, tampered or modified in any way. The validity of this guarantee only extends to the original purchaser of the unit.

NOTE: THE MANUFACTURER CAN NOT BE DEEMED RESPONSIBLE FOR ANY DAMAGE OR INJURY CAUSED BY IMPROPER USE OF THIS PRODUCT.

SEA reserves the right to do changes or variations that may be necessary to its products with no obligation to notice.

To the attention of users and technicians

ARRANGEMENTS

Read attentively the installation manual as it gives important indications concerning safety, installation, use and maintenance.

Installation, maintenance, reparation, controls and eventual putting out of function of the product must be executed by qualified staff only.

For the security of people it is important to follow with attention all the advises and instructions in this manual. A wrong installation or a wrong use of the product can cause sever damages to people.

The max. length of the power supply cable between control unit and motors is 10m, use cables with 2,5 mm² section.

Use wirings with double insulated cables (cables with sheath) up to the immediate proximities of the terminals especially for the power supply cable (230V~).

The control unit must not be used by people (including children) whose physical, sensory or mental ability is reduced, or with lack of experience or knowledge, unless they are guarded or have been instructed on how to use the control unit by a person responsible for their safety. Children must be guarded to make sure that they don't play with the control unit.

Foresee on the power supply net of the automation a device that assures the complete omnipolar disconnection from the net, with a distance of opening of the contacts on each pole of at least 3mm. Those devices of disconnection have to be foreseen on the power supply net accordingly to the rules of installation, and they have to be directly connected to the power supply terminals.

It is necessary to keep in adequate distance (at least 2.5 mm in the air) the low tension conductors (230V~) from the very low tension conductors (SELV) or to use a suitable sheath of at least 1 mm which supplies an additional insulation.

Make sure that during installation the power supply and interconnection cables cannot come into contact with pointed or sharp extremities.

Dispose of the package materials (plastics, carton, polistirene, etc.) respecting the laws in order. Keep nylon and polistirene bags out of the reach of children.

Save these instructions for further information attaching them to the technical documents.

This product has been projected and built exclusively for the use described in this instruction manual. Uses not indicated in this manual could damage the product and be source of danger.

SEA declines all responsibility for improper or different use from the one for which it has been planned and described in the present manual.

Don't install the product in explosive atmospheres.

SEA declines all responsibility for the non-observance of the good technique in the construction of closings (doors, gates, etc.), as well as for the deformations which could occur during the use.

Remove the power supply before any intervention on the installation. Disconnect also possible battery buffers if present.

Make sure that the earth installation has been correctly made: connect all the metallic parts of the closing (doors, gates, etc.) and all the components of the installation provided with earth terminals.

Apply all the safety devices (photocells, sensitive edges, etc.) which are necessary to protect the area from dangers of crushing, conveying, cutting.

SEA declines all responsibility for safety and for the correct functioning of the automation if parts of other producers are used.

Use only original parts for any maintenance or reparation.

Do not modify the parts of the automation if not explicitly authorized by SEA.

Instruct the user of the installation on the applied command systems and how to manually open the gate in case of emergency.

What is not explicitly contained in these instructions is not permitted.

CONDIZIONI DI VENDITA

EFFICACIA DELLE PRESENTI CONDIZIONI GENERALI DI VENDITA: Le presenti condizioni generali di vendita si applicano a tutti gli ordini indirizzati a SEA s.r.l. Tutte le vendite fatte da SEA ai clienti sono regolate secondo le presenti condizioni di vendita che costituiscono parte integrante del contratto di vendita ed annullano ogni clausola contraria o pattuizioni particolari presenti nell'ordine o in altro documento proveniente dall'acquirente (cliente)

AVVERTENZE GENERALI Gli impianti di automazioni porte e cancelli vanno realizzati esclusivamente con componenti SEA, salvo accordi specifici. L'inosservanza delle norme di sicurezza vigenti (Norm. EUROPEE EN 12453 - EN 12445 e altro) e di buona tecnica esclude la SEA da ogni responsabilità. La SEA non risponde del mancato rispetto della corretta e sicura installazione secondo le norme.

1) PROPOSTA D'ORDINE La proposta d'ordine si intenderà accettata solo dopo la sua approvazione da parte della SEA. Conseguenza della sua sottoscrizione, l'acquirente sarà vincolato alla stipula di un contratto d'acquisto, secondo quanto contenuto nella stessa proposta d'ordine e nelle presenti condizioni di vendita. Viceversa, la mancata comunicazione all'acquirente dell'approvazione della proposta d'ordine, non comporta la sua automatica accettazione da parte della SEA

2) VALIDITÀ OFFERTA Le offerte proposte dalla SEA o dalla sua struttura commerciale periferica, avranno una validità di 30 giorni solari, salvo diversa comunicazione in merito.

3) PREZZI I prezzi della proposta d'ordine sono quelli del listino in vigore alla data della redazione della stessa. Gli sconti applicati dalla struttura commerciale periferica della SEA si intenderanno validi solo dopo la loro accettazione da parte della SEA. I prezzi si intendono per merce resa franco ns. stabilimento in Teramo, esclusi IVA ed imballaggi speciali. La SEA si riserva il diritto di modificare in qualsiasi momento il listino, dando opportuno preavviso alla rete di vendita. Le condizioni speciali riservate agli acquisti con formula agevolata Qx, Qx1, Qx2, Qx3 sono riservate ai distributori ufficiali dietro accettazione scritta da parte della direzione SEA.

4) PAGAMENTI Le forme di pagamento ammesse sono quelle comunicate o accettate di volta in volta dalla SEA. Il tasso di interesse sul ritardo da pagamento è del 1,5% mensile e comunque non oltre il tasso massimo legalmente consentito.

5) CONSEGNA La consegna avverrà indicativamente ma non tassativamente entro 30 giorni lavorativi dalla data di ricezione dell'ordine, salvo diverse comunicazioni in merito. Il trasporto degli articoli venduti sarà effettuato a spese ed a rischio dell'acquirente. La SEA si libera dall'obbligo della consegna rimettendo la merce al vettore, sia esso scelto dalla SEA oppure dall'acquirente. Eventuali smarrimenti e/o danneggiamenti della merce dovuti al trasporto, sono a carico dell'acquirente.

6) RECLAMI Eventuali reclami e/o contestazioni dovranno pervenire alla SEA entro 8 giorni solari dalla ricezione della merce, supportati da idonei documenti provanti la loro veridicità.

7) FORNITURA L'ordine in oggetto viene assunto da SEA senza alcun impegno e subordinatamente alle possibilità di approvvigionamento delle materie prime occorrenti alla produzione; eventuali mancate esecuzioni totali o parziali non possono dar luogo a reclami e riserve per danni. La fornitura SEA è strettamente limitata alla sola merce di sua produzione, esclusi il montaggio, l'installazione ed il collaudo. La SEA declina pertanto ogni responsabilità per danni che dovessero derivare, anche a terzi, dall'inosservanza delle norme di sicurezza e della buona regola d'arte nelle fasi dell'installazione e dell'impiego dei prodotti venduti.

8) GARANZIA La garanzia minima è di 12 mesi e può essere estesa, come di seguito, in caso di riconsegna del certificato di garanzia.

SILVER: Le parti meccaniche degli operatori rientranti in tale categoria sono garantite per 24 mesi dalla data di fabbricazione riportata sull'operatore.

GOLD: Le parti meccaniche degli operatori rientranti in tale categoria sono garantite per 36 mesi dalla data di fabbricazione riportata sull'operatore.

PLATINUM: Le parti meccaniche degli operatori rientranti in tale categoria sono garantite per 36 mesi dalla data di fabbricazione riportata sull'operatore. La garanzia di base (36 mesi) sarà estesa per ulteriori 24 mesi (fino ad un totale di 60 mesi) qualora venga acquistato il certificato di garanzie che dovrà essere compilato e rispedito alla SEA s.r.l. entro 60 giorni dall'acquisto. L'elettronica e le centrali di comando sono garantite per 24 mesi dalla data di fabbricazione. Nell'eventualità di difettosità del prodotto, la SEA si impegna alla sua sostituzione gratuita oppure alla sua riparazione, previa restituzione al proprio centro di riparazione. La definizione di stato di garanzia è ad insindacabile giudizio della SEA. I pezzi sostitutivi restano di proprietà della SEA. In modo vincolante, il materiale dell'acquirente ritenuto in garanzia deve essere spedito al centro di riparazione della SEA in porto franco e sarà rispedito dalla SEA in porto assegnato. La garanzia non si estende alla manodopera eventualmente accorsa. I difetti riconosciuti non produrranno alcuna responsabilità e/o richiesta di danni, di qualsiasi natura essi siano, da parte dell'acquirente nei riguardi della SEA. La garanzia non è in ogni caso riconosciuta qualora sia stata apportata alla merce qualsivoglia modifica, oppure vi sia stato un uso improprio, oppure si sia in presenza di una qualsivoglia sua manomissione o di un montaggio non corretto, oppure se sia stata rimossa l'etichetta apposta dal produttore comprensiva del marchio SEA registrato n° 804888. La garanzia non è inoltre valida nel caso la merce SEA sia stata in parte o in toto accoppiata a componenti meccanici e/o elettronici non originali, ed in particolare in assenza di una specifica autorizzazione in merito, ed inoltre nel caso in cui l'acquirente non sia in regola con i pagamenti. La garanzia non comprende danni derivati dal trasporto, materiale di consumo, avarie dovute al mancato rispetto delle specifiche prestazionali dei prodotti indicate nel listino. Non è riconosciuto alcun indennizzo durante il tempo di riparazione e/o sostituzione della merce in garanzia. La SEA declina ogni responsabilità per danni a cose o persone derivanti dall'inosservanza delle norme di sicurezza e della non conforme installazione o dall'impiego errato dei prodotti venduti. La riparazione dei prodotti in garanzia e fuori garanzia è subordinata al rispetto delle procedure comunicate da SEA.

9) RISERVATO DOMINIO Sulla merce venduta è valida la clausola del riservato dominio, della quale la SEA deciderà autonomamente se avvalersi o meno, in virtù della quale l'acquirente acquisisce la proprietà della merce, solo dopo che il suo pagamento sia stato completamente effettuato.

10) FORO COMPETENTE Per qualsiasi controversia avente per oggetto l'applicazione di questo contratto, viene eletto competente il Foro di Teramo. La lingua valida nell'interpretazione di cataloghi, manuali di installazione, condizioni di vendita o altro è quella italiana. La SEA si riserva la facoltà di apportare modifiche tecniche atte a migliorare i propri prodotti, presenti o meno in questo Listino, in qualsiasi momento senza preavviso. La SEA declina ogni responsabilità derivante da possibili inesattezze contenute nel presente listino, derivanti da errori di stampa e/o trascrizione. Il presente Listino annulla e sostituisce quelli precedenti. L'acquirente ai sensi della legge 196/2003 (codice privacy) acconsente all'inserimento dei propri dati personali derivanti dal presente contratto negli archivi informatici e cartacei della SEA s.r.l. al loro trattamento per motivi commerciali ed amministrativi.

Diritti di proprietà industriale: il cliente, con l'acquisto, accetta le presenti condizioni di vendita e riconosce in capo a SEA la titolarità esclusiva del marchio internazionale SEA registrato n. 804888 apposto sulle etichette dei prodotti e/o sui manuali e/o su ogni altra documentazione, e si impegna ad utilizzare il medesimo nella propria attività di rivendita e/o installazione secondo modalità che non ne riducano in alcun modo i diritti, a non rimuovere, sostituire o alterare marchi o altri segni distintivi di qualsiasi genere apposti ai prodotti.

E' vietata ogni forma di riproduzione o utilizzo del marchio SEA e di ogni altro segno distintivo presente sui prodotti, salvo autorizzazione scritta di SEA srl.

Agli effetti dell'articolo 1341 del C.C. si approvano specificatamente per iscritto le clausole di cui ai numeri:

4) PAGAMENTI - 8) GARANZIA - 10) FORO COMPETENTE

TERMS OF SALES

EFFICACY OF THE FOLLOWING TERMS OF SALE: the following general terms of sale shall be applied to all orders sent to SEA srl. All sales made by SEA to all costumers are made under the prescription of this terms of sales which are integral part of sale contract and cancel and substitute all apposed clauses or specific negotiations present in order document received from the buyer.

GENERAL NOTICE The systems must be assembled exclusively with SEA components, unless specific agreements apply. Non-compliance with the applicable safety standards (European Standards EM12453 – EM 12445) and with good installation practice releases SEA from any responsibilities. SEA shall not be held responsible for any failure to execute a correct and safe installation under the above mentioned standards.

1) PROPOSED ORDER The proposed order shall be accepted only prior SEA approval of it. By signing the proposed order, the Buyer shall be bound to enter a purchase agreement, according to the specifications stated in the proposed order.

On the other hand, failure to notify the Buyer of said approval must not be construed as automatic acceptance on the part of SEA.

2) PERIOD OF THE OFFER The offer proposed by SEA or by its branch sales department shall be valid for 30 solar days, unless otherwise notified.

3) PRICING The prices in the proposed order are quoted from the Price List which is valid on the date the order was issued. The discounts granted by the branch sales department of SEA shall apply only prior to acceptance on the part of SEA. The prices are for merchandise delivered ex-works from the SEA establishment in Teramo, not including VAT and special packaging. SEA reserves the right to change at any time this price list, providing timely notice to the sales network. The special sales conditions with extra discount on quantity basis (Qx, Qx1, Qx2, Qx3 formula) is reserved to official distributors under SEA management written agreement.

4) PAYMENTS The accepted forms of payment are each time notified or approved by SEA. The interest rate on delay in payment shall be 1.5% every month but anyway shall not be higher than the max. interest rate legally permitted.

5) DELIVERY Delivery shall take place, approximately and not peremptorily, within 30 working days from the date of receipt of the order, unless otherwise notified. Transport of the goods sold shall be at Buyer's cost and risk. SEA shall not bear the costs of delivery giving the goods to the carrier, as chosen either by SEA or by the Buyer. Any loss and/or damage of the goods during transport, are at Buyer's cost.

6) COMPLAINTS Any complaints and/or claims shall be sent to SEA within 8 solar days from receipt of the goods, proved by adequate supporting documents as to their truthfulness.

7) SUPPLY The concerning order will be accepted by SEA without any engagement and subordinately to the possibility to get it's supplies of raw material which is necessary for the production; Eventual completely or partially unsuccessful executions cannot be reason for complains or reservations for damage. SEA supply is strictly limited to the goods of its manufacturing, not including assembly, installation and testing. SEA, therefore, disclaims any responsibility for damage deriving, also to third parties, from non-compliance of safety standards and good practice during installation and use of the purchased products.

8) WARRANTY The standard warranty period is 12 months. This warranty time can be extended by means of expedition of the warranty coupon as follows:

SILVER: The mechanical components of the operators belonging to this line are guaranteed for 24 months from the date of manufacturing written on the operator.

GOLD: The mechanical components of the operators belonging to this line are guaranteed for 36 months from the date of manufacturing written on the operator.

PLATINUM: The mechanical components of the operators belonging to this line are guaranteed for 36 months from the date of manufacturing written on the operator. The base warranty (36 months) will be extended for further 24 months (up to a total of 60 months) when it is acquired the certificate of warranty which will be filled in and sent to SEA s.r.l. The electronic devices and the systems of command are guaranteed for 24 months from the date of manufacturing. In case of defective product, SEA undertakes to replace free of charge or to repair the goods provided that they are returned to SEA repair centre. The definition of warranty status is by unquestionable assessment of SEA. The replaced parts shall remain propriety of SEA. Binding upon the parties, the material held in warranty by the Buyer, must be sent back to SEA repair centre with fees prepaid, and shall be dispatched by SEA with carriage forward. The warranty shall not cover any required labour activities.

The recognized defects, whatever their nature, shall not produce any responsibility and/or damage claim on the part of the Buyer against SEA. The guarantee is in no case recognized if changes are made to the goods, or in the case of improper use, or in the case of tampering or improper assembly. Furthermore, the warranty shall not apply if SEA products are partly or completely coupled with non-original mechanical and/or electronic components, and in particular, without a specific relevant authorization, and if the Buyer is not making regular payments. The warranty shall not cover damage caused by transport, expendable material, faults due to non-conformity with performance specifications of the products shown in the price list. No indemnification is granted during repairing and/or replacing of the goods in warranty. SEA disclaims any responsibility for damage to objects and persons deriving from non-compliance with safety standards, installation instructions or use of sold goods.

9) RESERVED DOMAIN A clause of reserved domain applies to the sold goods; SEA shall decide autonomously whether to make use of it or not, whereby the Buyer purchases propriety of the goods only after full payment of the latter.

10) COMPETENT COURT OF LAW In case of disputes arising from the application of the agreement, the competent court of law is the tribunal of Teramo. SEA reserves the faculty to make technical changes to improve its own products, which are not in this price list at any moment and without notice. SEA declines any responsibility due to possible mistakes contained inside the present price list caused by printing and/or copying. The present price list cancels and substitutes the previous ones. The Buyer, according to the law No. 196/2003 (privacy code) consents to put his personal data, deriving from the present contract, in SEA archives and electronic files, and he also gives his consent to their treatment for commercial and administrative purposes. Industrial ownership rights: once the Buyer has recognized that SEA has the exclusive legal ownership of the registered SEA brand, he will commit himself to use it in a way which does not reduce the value of these rights, he won't also remove, replace or modify brands or any other particularity from the products. Any kind of replication or use of SEA brand is forbidden as well as of any particularity on the products, unless preventive and expressed authorization by SEA.

In accomplishment with art. 1341 of the Italian Civil Law it will be approved expressly clauses under numbers:

4) PAYMENTS - 8) GUARANTEE - 10) COMPETENT COURT OF LAW



Dichiarazione di conformità
Declaration of Conformity

La SEA s.r.l. dichiara sotto la propria responsabilità e, se applicabile, del suo rappresentante autorizzato che il prodotto:

SEA srl declares under its proper responsibility and, if applicable, under the responsibility of its authorised representative that the products:

| Descrizione / Description | Modello / Model | Marca / Trademark |
|---|------------------------|--------------------------|
| Half Tank 270 AC (e tutti i suoi derivati) | 10401026 | SEA |
| <i>Half Tank 270 AC (and all its by-products)</i> | <i>10401026</i> | <i>SEA</i> |
| Half Tank 390 AC (e tutti i suoi derivati) | 10501036 | SEA |
| <i>Half Tank 390 AC (and all its by-products)</i> | <i>10501036</i> | <i>SEA</i> |

sono costruiti per essere incorporati in una macchina o per essere assemblati con altri macchinari per costruire una macchina ai sensi della Direttiva 2006/42/CE:

are built to be integrated into a machine or to be assembled with other machinery to create a machine under the provisions of Directive 2006/42/CE:

sono conformi ai requisiti essenziali di sicurezza relativi al prodotto entro il campo di applicabilità delle Direttive Comunitarie 2006/95/CE e 2004/108/CE.

are conforming to the essential safety requirements related to the product within the field of applicability of the Community Directives 2006/95/CE and 2004/108/CE.

COSTRUTTORE o RAPPRESENTANTE AUTORIZZATO:
MANUFACTURER or AUTHORISED REPRESENTATIVE:

SEAS.r.l.
DIREZIONE E STABILIMENTO:
Zona industriale 64020 S.ATTO Teramo - (ITALY)
Tel. 0861 588341 r.a. Fax 0861 588344
[Http://www.seateam.com](http://www.seateam.com)

I test sul prodotto sono stati effettuati in configurazione standard e in riferimento alle norme specifiche per la sua classe d'utilizzo.

The products have been tested in standard configuration and with reference to the special norms concerning the classe of use.

(Luogo, data di emissione)
(Place, date of issue)
24/05/2010

L'Amministratore
The Administrator
Ennio Di Saverio



Questo articolo è stato prodotto seguendo rigide procedure di lavorazione ed è stato testato singolarmente al fine di garantire i più alti livelli qualitativi e la vostra soddisfazione. Vi ringraziamo per aver scelto SEA.

This item has been produced following strict production procedures and has been singularly tested for the highest quality levels and for your complete satisfaction. Thanks for choosing SEA.

Cet article a été produit suivant des procédures d'usinage strictes et il a singulièrement été testé afin de garantir les plus hauts niveaux de qualité pour votre satisfaction. Nous vous remercions d'avoir choisi SEA.

Este artículo ha sido producido siguiendo rigidos procedimientos de elaboración y ha sido probando singolarmente a fin de garantizar los mas altos niveles de calidad y vuestra satisfaccion. Le agradecemos por haber escogito SEA.

CERTIFICATO DI ESTENSIONE GARANZIA CERTIFICATE OF WARRANTY EXTENTION

n.

PRODOTTO/ PRODUCT

- Modello/Model _____
- Matricola n. /Serial Number _____
- Data di acquisto/Date of order _____
- Data di installazione/Date of installation _____

| | | | |
|------------------------------------|------------------------------|--------------|--------------------------|
| Centrale/Control unit | SEA <input type="checkbox"/> | Altri/Others | <input type="checkbox"/> |
| Fotocellule/Photocells | SEA <input type="checkbox"/> | Altri/Others | <input type="checkbox"/> |
| RX - TX | SEA <input type="checkbox"/> | Altri/Others | <input type="checkbox"/> |
| Altri accessori /Other accessories | SEA <input type="checkbox"/> | Altri/Others | <input type="checkbox"/> |

UTENTE/Customer

Nome e Cognome _____
First Name and Family Name _____
Indirizzo/Address _____

INSTALLATORE/Installer

Ragione sociale/Company Name _____
Nome e Cognome/First and Family Name _____
Indirizzo/Address _____

INSTALLATORE/INSTALLER

Firma per il trattamento dei dati personali 196/2003
Agreement of law No. 196/2003 (Privacy Code)

Copia da restituire
Copy to be returned

Firma e Timbro

Sign and Stamp _____

N.B: L'estensione della garanzia legale di 12 mesi a 24 mesi e 36 mesi è valida solo se il presente modulo viene rispedito per posta o fax a SEA Srl entro 15gg dalla data di acquisto. Allegare relativa fattura d'acquisto.

Note: The extension of the legal standard warranty of 12 months to 24 months and to 36 months, is valid only if the present form is returned by mail or fax to SEA Srl within 15days from the date of purchase. Attach customer invoice.



SEA[®]
Sistemi Elettronici
di Apertura Porte e Cancelli
International registered trademark n. 804888

SEA srl - Zona Industriale San Atto- 64020 Teramo (Italy)
Phone +39 0861 588341- Fax +39 0861588344
www.seateam.com - info@seateam.com



SEA S.r.l.
Zona Ind. S.Atto 64020 TERAMO Italy
Tel. +39.0861.588341 - Fax+39.0861.588344

e-mail: seacom@seateam.com
WEB SITE : www.seateam.com