

HT24V Electrohydraulic



24V DC
HYDRAULIC
TECNOLOGY



Internal mechanical stop kit for the optimal operation of limit switches



New metal release system PLUS accessible through lock for max security

LOW VOLTAGE (24V dc) HYDRAULIC SWING GATE OPERATOR. MAX LEAF LENGTH 5 M.

- The electrohydraulic HALF TANK is a low voltage (24Vdc) hydraulic operator for swing gates satisfying the requirements of very exigent customers regarding quality and long time lasting.
- Hydraulic silence and reliability.
- SEA TOTAL QUALITY: All main parts are manufactured and tested in-house.
- The functioning of the operator through oil and the inner lubrication of all mechanical components grant a long time lasting.
- High Anti-crashing security through control unit with detecting amperometric function
- Power and slow down adjustable on control unit USER ROLL.
- Versions with lock in both directions (AC) and without lock (SB).
- Application of emergency batteries for functioning in case of black-out possible and solare panel KIT SUNNY.
- Mechanical and electronic limit switches in opening and closing..

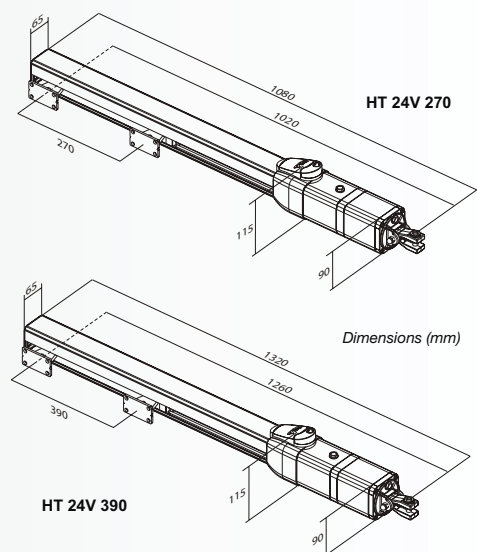
CODE	NAME	MAX LEAF WEIGHT	MAX LEAF LENGTH	MAX OPENING DEGREE	CYCLES/HOUR MAX
10403000	HALF TANK 270 ELECTROHYDRAULIC AC	700 kg	1,8 m	120°	70
10423000	HALF TANK 270 ELECTROHYDRAULIC SB	700 kg	5,0 m	120°	70
10503000	HALF TANK 390 ELECTROHYDRAULIC AC	700 kg	2,2 m	120°	70
10523000	HALF TANK 390 ELECTROHYDRAULIC SB	700 kg	5,0 m	120°	70

* Complete with mechanical and electronic stops and metal release
NB: l'installation through JOLLY is recommended

STANDARD INSTALLATION FOR TWO SWING LEAVES

Code	Name	Quantity
10403000	HALF TANK ELECTROHYDRAULIC AC	2
23024020	USER 24V ROLL	1
23110470	LADYBIRD ROLL 2 ch. 433 MHz Transmitter	1
23120470	RF ROLL 433 Mhz radio frequency module	1
23104105	FLASH warning lamp 24V	1
23101075	Kit Antenna 433 MHz	1
23103065	ASTER key switch	1
23102076	SUNSET synchronized photocell	2
12710205	PILAR aluminium column for SUNSET	2

NOTE For leaves longer than 1,8 m it is suggested to use the SB versions with electric lock



ACCESSORIES

Accessories for swing gates
General accessories

Page 26
Page 90-95



Note: For further information please contact SEA sales offices