

# INSTALLATION MANUAL for ELECTROMAGNETIC LOCK

Model: ECA- 485KG (Waterproof)



Factory 1/8 Somerton Park Drive, Campbellfield Vic 3061  
Phone: (03) 9305 1400 Fax: (03) 9305 3079 Email: [newtower@tpg.com.au](mailto:newtower@tpg.com.au)

## 1) Mechanical & Electrical Specification:

	INPUT VOLTAGE	CURRENT DRAW	HOLDING FORCE	SURFACE MAGNET DIMENSION	STRIKE PLATE DIMENSION	HOLD DIMENSION	Body cover	L-Bracket material	Z-Bracket material
ECA - 485 ( No Lock Sensor )	12VDC TO 24VDC	12VDC-500mA 24VDC-250mA	485kg	200×40×26 mm	185×38×12 mm	185 mm	Stainless steel	Stainless steel	Aluminum alloy

## 2) Electrical wirings:



### Protections and Features

1. Built-in Surge Absorber protection.
2. Top quality coil isolation for high-voltage protection.
3. 100% Waterproof stainless unit for long lasting operation.

## 3) Installation steps (Refer to drawings next page section No. 6 )

- a. The deviations between the lock and the striking plate should be under tolerance of 5mm, otherwise the lock sensor may provide false reading.
- b. Make sure if your supply voltage is 12V or 24V Dc and connect the wiring accordingly. Wrong connection or voltage will cause overheating and burn the electromagnet's coil.
- c. Do not tighten the Flat-Head screw (M8) when installing the striking plate. The thickness of the rubber washer (between the 2 metal washers) should be squeezed from 4mm to 2mm (as in Fig. A & Fig. B) for allowing the plate to swing and achieve max holding force.
- d. For Swing-in installation, a suitable Z-Bracket should be ordered separately to suit this type of installation.
- e. Two oval ditches in the Z-Bracket, will allow adjusting the distance between the magnetic lock and striking plate. Secure the “L” plate by spring washers as shown in Fig. C.
- f. Drill two holes of 8mm in the door in an accurate position for the two pins to hold the striker plate in place and avoid deviation (As in Fig. D )

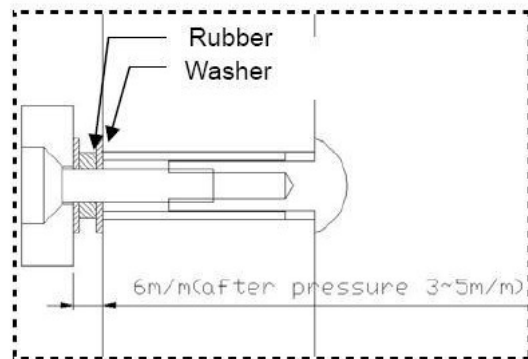


Fig. A The rubber should be between the two metal washers.

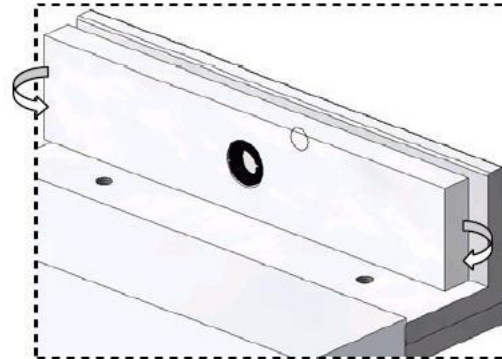


Fig. B Do not tighten the Flat-Head screw (M8) to allow the striker plate to swing

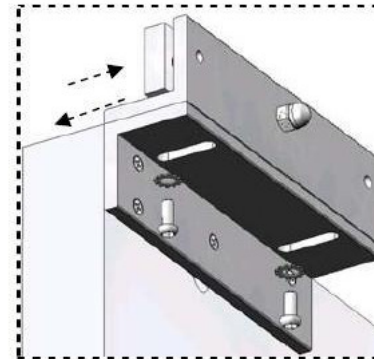


Fig. C Use two screws with spring washers (M8) and adjust the Z-Bracket in place.

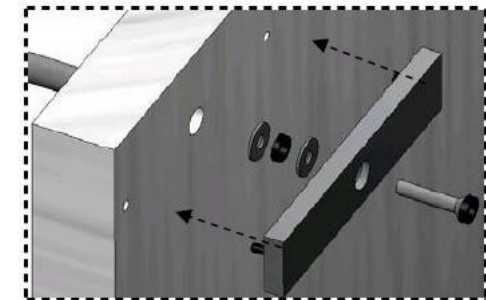
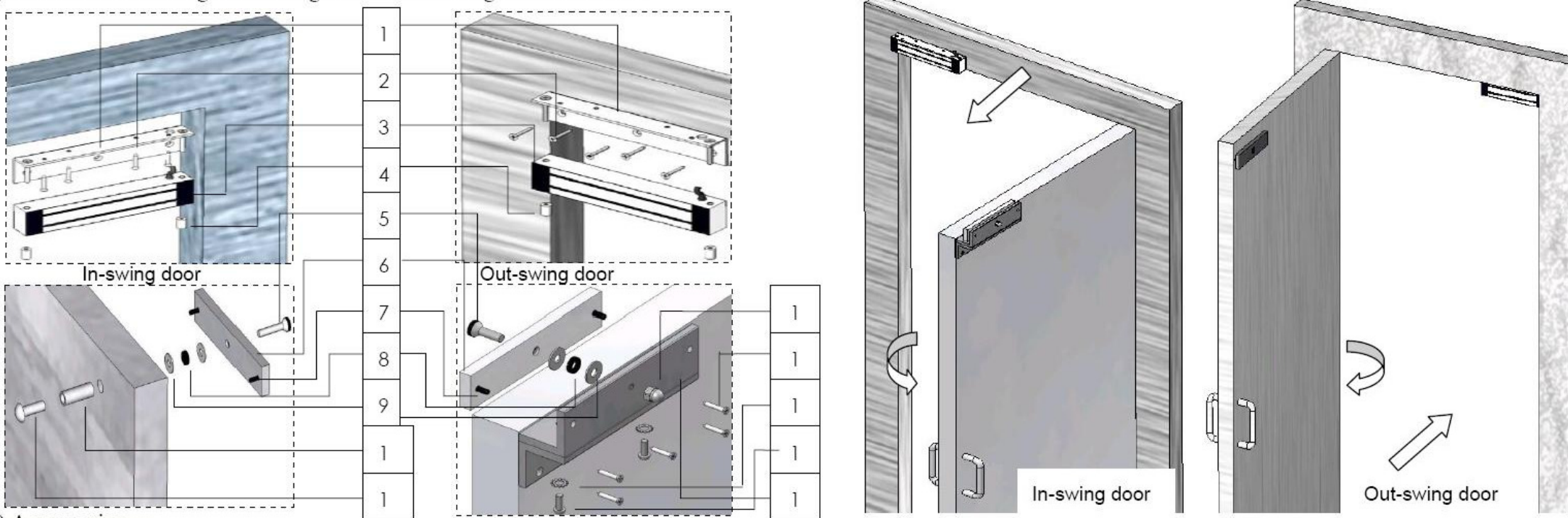


Fig. D Make two holes in the door for the two pins of striker plate to avoid deviation.

4) Illustrations showing door swing-out & door swing-in installations:



5) Accessories:

	1	2	3	4	5	6	7	8	9	10	11	12	13	14	15	16
Name	L-Bracket	Screw	Body	Screw tube	Flat-Head screw	Striker plate	Pin	Rubber	Washer	Tube	Mushroom head screw	Nut	Screw	Spring Washer	Screw	Z-Bracket
Amount	1	5	1	2	1	1	2	1	2	1	1	1	5	2	2	1
Specification	200×42.5×28 mm	5/32"×3/4"	200×40×26 mm	M5	M8	185×38×12 mm	Ø5×16		5/16"		M8	M8	3/16"×1-1/4"	M8	M8	190×50×50 mm

6) Installation diagrams

