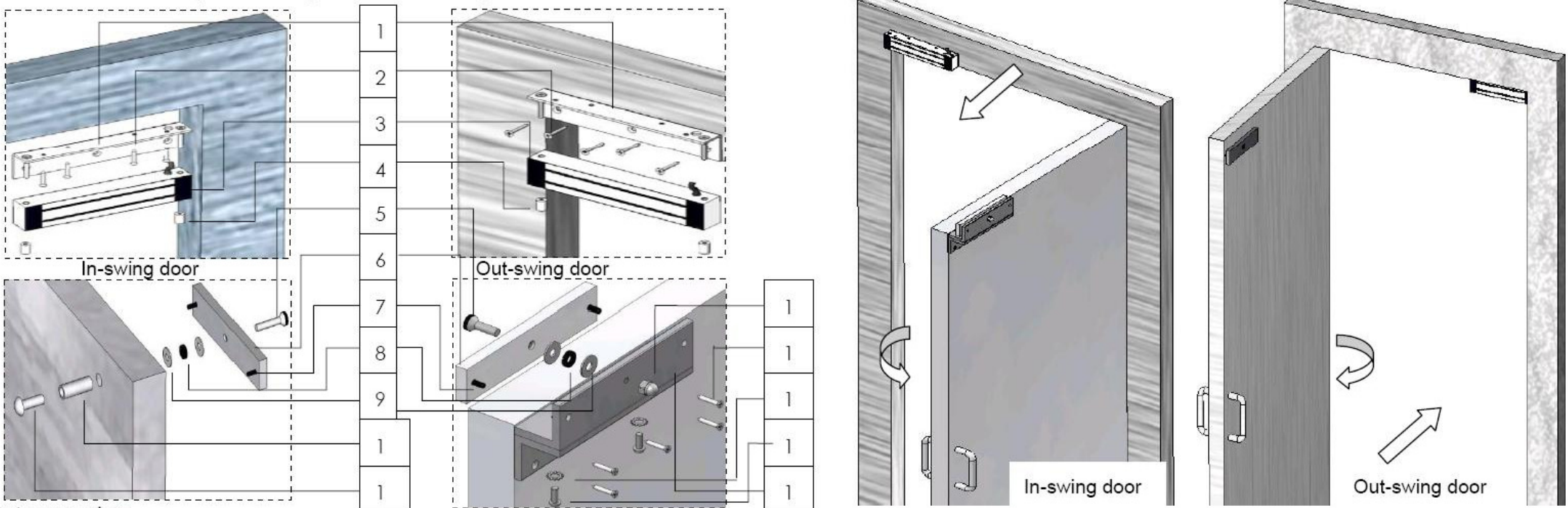


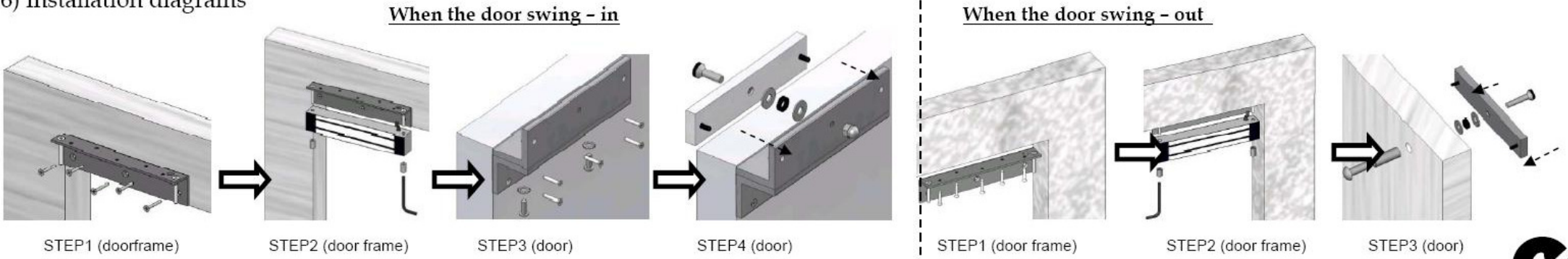
4) Illustrations showing door swing-out & door swing-in installations:



5) Accessories:

| | 1 | 2 | 3 | 4 | 5 | 6 | 7 | 8 | 9 | 10 | 11 | 12 | 13 | 14 | 15 | 16 |
|---------------|--------------|--------------|--------------|------------|-----------------|---------------|-------|--------|--------|------|---------------------|-----|--------------|---------------|-------|--------------|
| Name | L-Bracket | Screw | Body | Screw tube | Flat-Head screw | Striker plate | Pin | Rubber | Washer | Tube | Mushroom head screw | Nut | Screw | Spring Washer | Screw | Z-Bracket |
| Amount | 1 | 5 | 1 | 2 | 1 | 1 | 2 | 1 | 2 | 1 | 1 | 1 | 5 | 2 | 2 | 1 |
| Specification | 220×50×32 mm | 3/16"×1-1/4" | 223×47×29 mm | M6 | M8 | 185×45×15 mm | Ø5×16 | | 5/16" | | M8 | M8 | 3/16"×1-1/4" | M8 | M8 | 190×50×50 mm |

6) Installation diagrams



INSTALLATION MANUAL for ELECTROMAGNETIC LOCK

Model: ECA- 685KG (Waterproof)

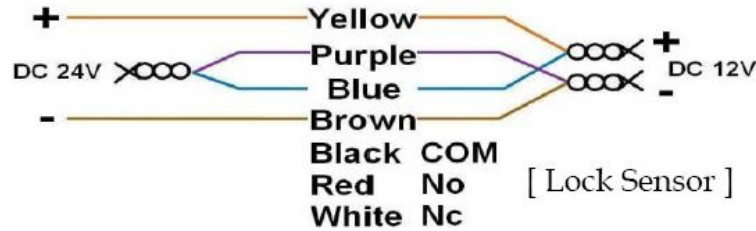


Factory 1/8 Somerton Park Drive, Campbellfield Vic 3061
Phone: (03) 9305 1400 Fax: (03) 9305 3079 Email: newtower@tpg.com.au

1) Mechanical & Electrical Specification:

| | INPUT VOLTAGE | CURRENT DRAW | HOLDING FORCE | SURFACE MAGNET DIMENSION | STRIKE PLATE DIMENSION | HOLD DIMENSION | Body cover | L-Bracket material | Z-Bracket material |
|------------------------------|----------------|----------------------------|---------------|--------------------------|------------------------|----------------|-----------------|--------------------|--------------------|
| ECA - 685 (No Lock Sensor) | 12VDC TO 24VDC | 12VDC-500mA 24VDC-250mA | 685kg | 223×47×29 mm | 185×45×15 mm | 202 mm | Stainless steel | Stainless steel | Aluminum alloy |

2) Electrical Wirings:



Protections and Features

1. Built-in Surge Absorber protection.
2. Top quality coil isolation for high-voltage protection.
3. 100% Waterproof stainless unit for long lasting operation.

3) Installation steps (Refer to drawings next page section No. 6)

- a. The deviations between the lock and the striking plate should be under tolerance of 5mm, otherwise the lock sensor may provide false reading.
- b. Make sure if your supply voltage is 12V or 24V Dc and connect the wiring accordingly. Wrong connection or voltage will cause overheating and burn the electromagnet's coil.
- c. Do not tighten the Flat-Head screw (M8) when installing the striking plate. The thickness of the rubber washer (between the 2 metal washers) should be squeezed from 4mm to 2mm (as in Fig. A & Fig. B) for allowing the plate to swing and achieve max holding force.
- d. For Swing-in installation, a suitable Z-Bracket should be ordered separately to suit this type of installation.
- e. Two oval ditches in the Z-Bracket, will allow adjusting the distance between the magnetic lock and striking plate. Secure the "L" plate by spring washers as shown in Fig. C.
- f. Drill two holes of 8mm in the door in an accurate position for the two pins to hold the striker plate in place and avoid deviation (As in Fig. D)

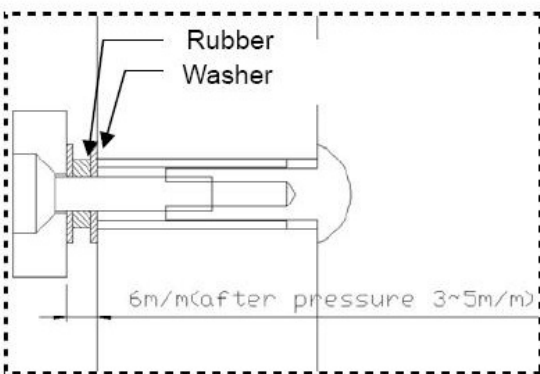


Fig. A The rubber should be between the two metal washers.

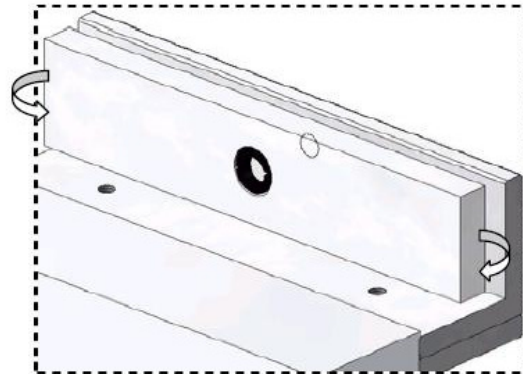


Fig. B Do not tighten the Flat-Head screw (M8) to allow the striker plate to swing

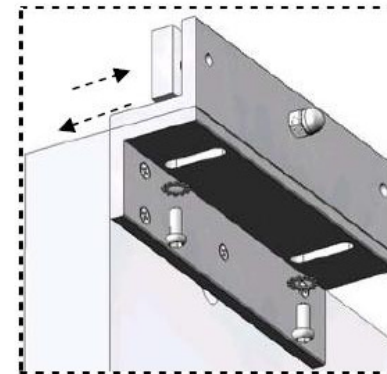


Fig. C Use two screws with spring washers (M8) and adjust the Z-Bracket in place.

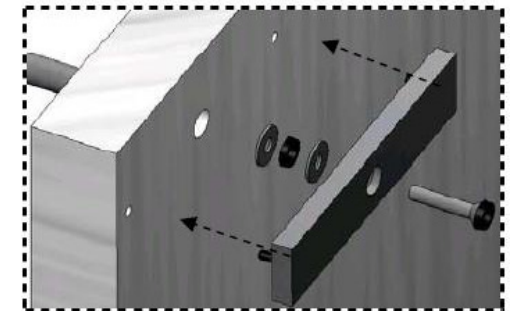


Fig. D Make two holes in the door for the two pins of striker plate to avoid deviation.