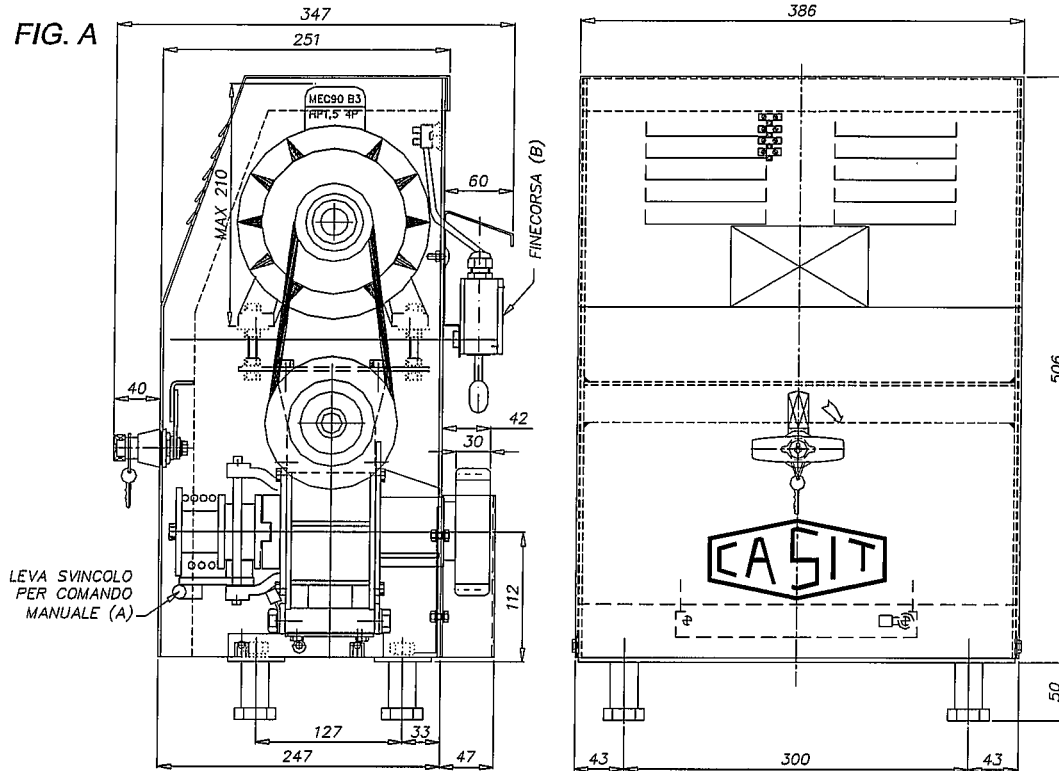


# MR300/CR CANCELLI SCORREVOLI

Comando a cremagliera -grandi luci.



ASSOCIATO: UNIONE NAZIONALE COSTRUTTORI  
DI AUTOMATISMI PER CANCELLI, PORTE  
SERRANDE AFFINI



**TECHNICAL NOTES:** Motoreducer N50 in aluminium casting, endless-screw and bronze-gear. Motor three-phase 750 W  
Primary V shaped belt and adjustable dry-clutch.  
Emergency manual-drive by swift-lever and key-door adjustable limit-switches Telemecanique.  
Pignon Z = 25 Dp 100 and Rack M = 4 mm 22x22 (piece 1 m ).  
Steel-painted cover.  
Weight: 41 kg.  
Opening speed: 9,5 m/1'

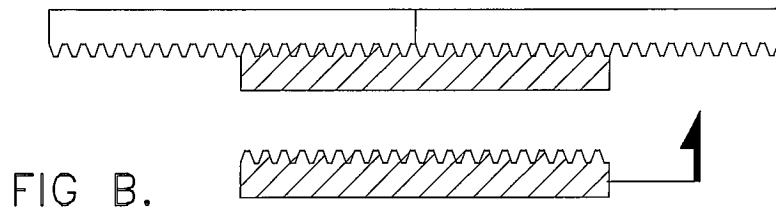
## PULL-POWER:

Motor three-phase 750 W. TORQUE max. utilisable 80 Nm.

Motor single-phase 550 W. TORQUE max. utilisable 32 Nm.

**WARNING:** To read the " AVVERTENZE UNAC " book enclosed, and follow it. CASIT reserve the right to change these data, that are indicatives.

CASIT 10040 Caselette (TO) V. Pietra Alta 1 - Tel. 011 / 9688230 FAX 011 / 9688363 [www.casit.it](http://www.casit.it)



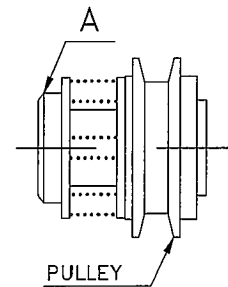
**INSTALLATION:** To check the Gate-flow(the power-thrust must be 20Kg./1Ton., indicatively ). To check the stoppers-gate(opened-closed).

To fix the Operator overlight (opening side), perfectly horizontal. Fig.D.

To fix the Rack at the Gate, perfectly horizontal, with a clearance 0,5-1 mm between rack and pignon. Fig.B.

**CLUTCH:** The dry-clutch must be adjusted in relation of the Gate's weight. You can increase the power, screwing the nut (A). Unscrewing you reduce the power, Fig.C.

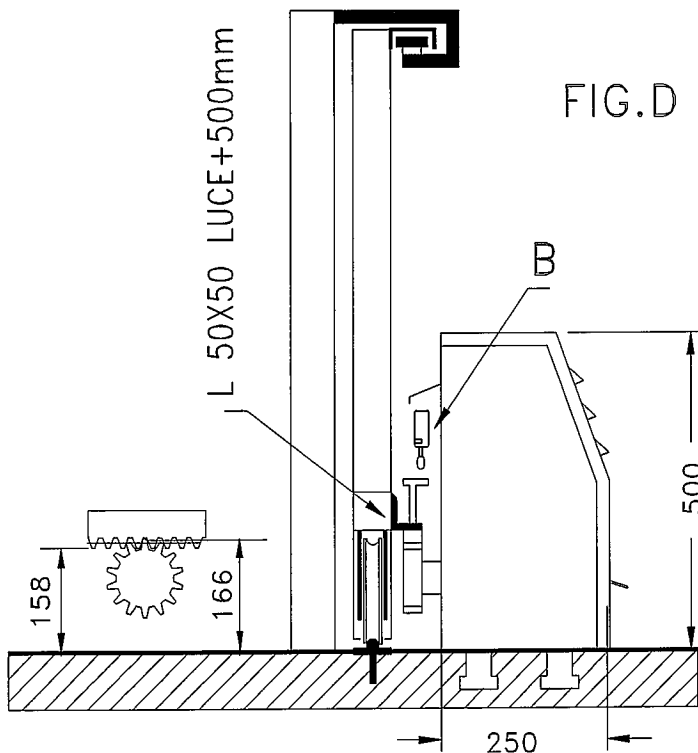
CLUTCH  
FIG. C



To fix the Levers-limit-switches at the Gate regarding to the opening wanted. The Gate must be stopped before force against the Stoppers. To check that regarding to the Gate's inertia.

To connect electrically regarding the Standard s (IEC,UNI 8612 Italy, etc...). To check the right rotation of the motor and the safety-devices ( Photocells, CS2,etc...) and the limitt-switches (B). To connect at the Ground.

To lubricate the mechanical parts. Don't give the controls( Radio, key, etc...) to the children.



**EMERGENCY-MANUAL-DRIVE:** To open the keydoor and to pull the swift-lever(A). Then to push the Gate manually. To taking-back the electric-drive, to remake on sequence and to push the Gate go-back and forth, for an easy internal coupling. Fig.A.

**MAINTENANCE:** To check the safety-devices ( Photocells, CS2 ,etc...),periodically, and the limit-switches(B) Fig.D. To check the locking of the parts. To lubricate the mechanical parts. To adjust the dry-clutch. Fig.C.

The maintenance must be effected only by qualified personnel.

**WARNING:** To read the " AVVERTENZE UNAC " book enclosed, and follow it. CASIT reserve the right to change these data, that are indicatives.