

# RXX 2167

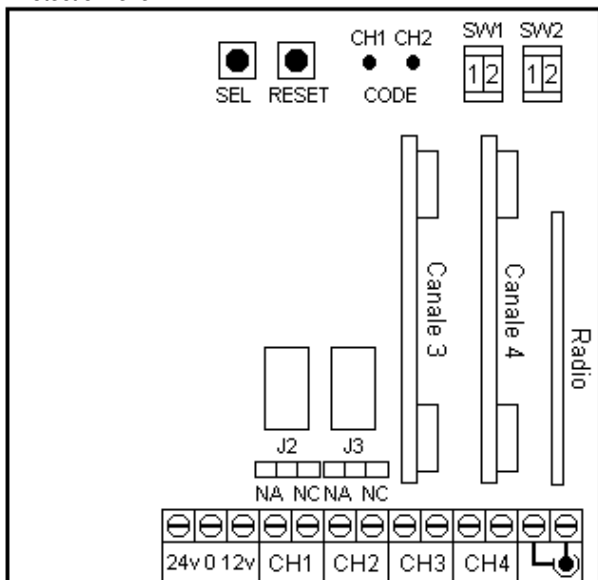
## MULTICHANNEL MODULAR RECEIVER

The radio receiver RXX 2167, allows the remote control of electric and electronic devices when coupled with one or more transmitters. The receiver is adapted with two serial channels and has the capacity of maximum 4 channels.

- Mod. ( **RXQ 2167** ) : 30,875 MHz
  - Mod. ( **RX 2167** ) : 306 MHz
  - Mod. ( **RX 2167/330** ) : 330 MHz
  - Mod. **RXS 2167** : 433,92 MHz
  - Mod. **RES 2167** : Narrow band 433,92 MHz
  - Mod. **RXH 2167** : Narrow band 868,3 MHz
- ( ) This product is : destined for countries in which use is consented.

### TECHNICAL DATA:

- Power supply 12-24V AC-DC 4,5W
- Work frequency see model
- Optional transmitter 12-18 bit or Rolling code
- TX codes memorable per channel 60 Max
- Channels -2 to a maximum of 4
- Optional additional channel : ML 2168
- Command relay: 30VDC 1A open
- Working temperature: -20÷55°C
- Dimensions: 110x121x47mm
- Rating in open space: 50-100 metres
- Container: ABS V-0
- Protection level: IP54



### INSTALLATION OF THE RECEIVER:

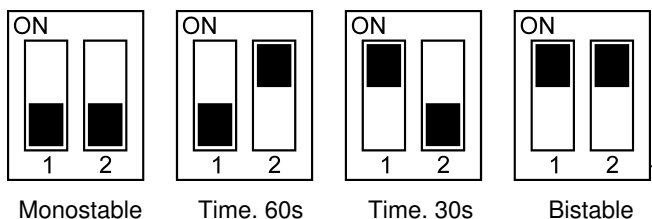
It is very important to choose the place of installation carefully in order to obtain an optimal functioning between the transmitter and the receiver. Capacity is not only conditioned by the technical characteristics of the device, but also varies according to the radio-electric conditions of the site.

The receiver is adapted with a machined antenna with a rigid crop ended wire, if you want to increase the sensibility it is possible to connect a tuned antenna (**H868 = 868MHz**, **H433 = 433MHz**, **H7 = 306-330MHz**, **H30 = 30,875MHz**) coaxial median cable RG58 50 Ohm.

The antenna should be visually positioned on the exterior and far from metal structures. There must be a distance of at least 5 metres between the two receivers if installation is to be successful.

### MODALITY OF OPERATION

It is possible to choose the following modalities of operation through the Switch selecting SW1-SW2 respectively for the first and second channel.



### PROGRAMMING:

The radio-controls programming to be used is of a self-learning kind, and can be carried out as follows:

Press the SEL button, as a result of which the Led CODE will begin to flash. Send the selected code using the radio-control, making sure that you stand a few metres away. When the Led remains illuminated, programming is finished.

For the programming of the second channel follow the same procedures though press SEL twice.

It is possible to repeat the memorisation procedure using up to a maximum of 60 codes. By continuing to repeat the operation once the available memory capacity is used up, the Led code will start to flash rapidly, indicating that further storage is not possible.

For the programming of the modules ML 2168 follow the same procedures mentioned above, using the respective tasks.

### ABILITY OF PROGRAMMING THROUGH RADIO CONTROL :

Ability of programming through Radio command.

The panel is furnished by the builder with the radio command disabled, if you wish to enable the function, proceed in the following manner: the panel board is powered by an output of 12-24V AC-DC, keeping the SELL task pressed, at the same time you will obtain a brief flashing of all the Leeds and the programming will be complete.

If you wish to disable the function previously enabled, repeat the operation or follow the RESET procedure.

### PROGRAMMING USING THE RADIO CONTROL:

This procedure makes it possible to programme the device without touching the SEL buttons on the receiver, but to carry out the operation from a distance.

The procedure is carried out in the following way: transmit the previously memorised radio control code for just over 10 seconds, in an uninterrupted way. At the same time, the main device goes into a programming mode. From a few metres away from the main device, transmit the selected code using the radio control. The programming will then be complete.

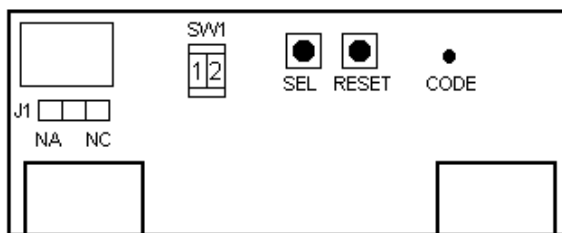
*"The central enters into programming mode through the corresponding channel previously memorised by the radio control."*

### RESET:

If you wish to reset the receiver to its original configuration, (without any memorised code), press the RESET button and at the same time Led will switch off, the same for models ML 2168.

### MODULE OF CHANNEL ML 2168

The same modality of programming and operation is used for added modules ML 2168.



Module for Additional Channel ML 2168

### **IMPORTANT NOTICE FOR THE INSTALLER**

*– The fixing of the electricity supply cables and their connection, must be guaranteed by means of the assembly of the cable presses.*



 **SEAV s.r.l.** Via S. Sabino, 34 - P.O. Box 14  
60027 Osimo (AN) Italy  
<http://www.seav.com>

**SEAV s.r.l.** declares that the products

**Receiver RXH 2167**

**Receiver RES 2167**

**Receiver RXS 2167**

Comply with the requirements of Directives R&TTE 99/5/EC, EMC 2004/108/EC.