

SEA®



Sistemi Elettronici
di Apertura Porte e Cancelli

Technical data

Voltage: 12 Vdc

Consumption: 10 mA while transmitting

Frequency: 433.920 MHz

Distance: 50 mt *

Code: 64 bit digital with crypted rolling code

N° of channels: 1

Operational temperature range: -15°C / +60°C

Storage temperature: -40°C / +80°C

Dimensions: 76 x 39 x 17 mm

Humidity: 5% to 90% non condensing

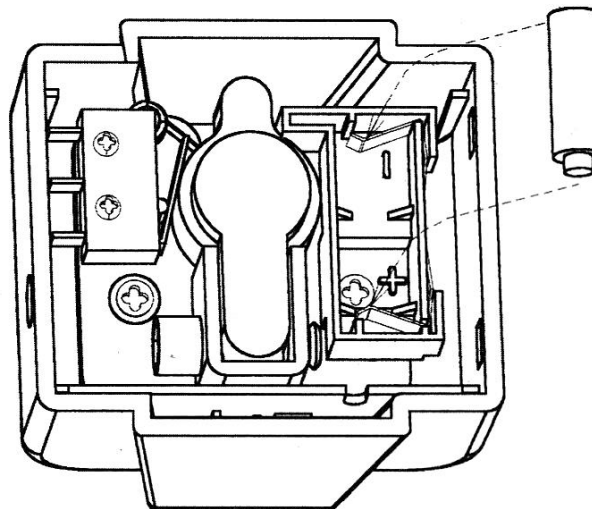


FIG. 2

Please note.

The range of this device (as all the other radiofrequency units) is subject to the electromagnetic pollution, to the spurious RF signals in the installation place, or obstructions between the transmitter and receiver.

DESCRIPTION OF THE TRANSMITTER FUNCTIONS

23120035 - 23120040 - 23120025 - 23120030 receiver code learning

- Put radio receiver jumper 1 or jumper 2 off corresponding to relay output that you want to put on (J1 for Channel 1 and J2 for Channel 2).
- Push S1 self-learning button for 1/2 second at least, the Led will light.

- Push your T button on the radio transmitter.
- Take the jumper off.
- Check the store in by giving a command.

Each relay output has to be on with only one jumper in.

Please note: If no compatible command is sent within 18 seconds from learning mode (led flashing) a safe timer brings the circuit back to normal function (led off)

Key button erase operation from a radio receiver

- Turn the radio jumper off if on (B.O. mode) corresponding to the relay output you're going to put off.
- Put learning on acting on radio receiver S1 button.
- Start the transmitter by turning the button key into erasing key.
- The Led will start flashing while deleting.

Battery Saver

Each key button 23103025 module includes a Battery Saver to inactive a radio transmission, that lasts more than 2 seconds for any reason.

MAINTENANCE

The only maintenance applicable to this product is battery replacing if it's not working or the voltage is very poor.

SAFETY AND ENVIRONMENTAL COMPATIBILITY

We recommend to keep the environment clean both from the product and circuit packing materials.

CONFORMITY REQUIREMENTS

The 433.92 MHz 23103025 transmission module is conform to the following standards:

- ETS 300 220
- ETS 300 683
- EN 60065
- 1999/5/CE (R & TTE) Regulation

INSTALLATION INSTRUCTIONS

AND MAINTENANCE GUIDE

433.92 MHz RADIOFREQUENCY

MONOCHANNEL KEY BUTTON

(23103025)

Generalities

The 433.92 MHz 23103025 transmission module has been projected by SEA S.r.l. to speed the installation activities and guarantee the best reliability in the long distance gate, door and leaf opening and closing command transmission to a compatible receiving module; the following functions are available: actioning key, self-learning, save battery function, 64 bit digital code rolling crypted.

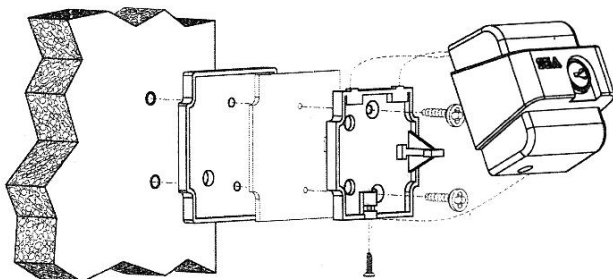


FIG. 1

Contents of the transmitting module pack

- N° 1 RF Key button with 12 V battery
- N° 1 kit accessories for wall fixing
- N° 3 coded keys
- N° 1 installation instructions