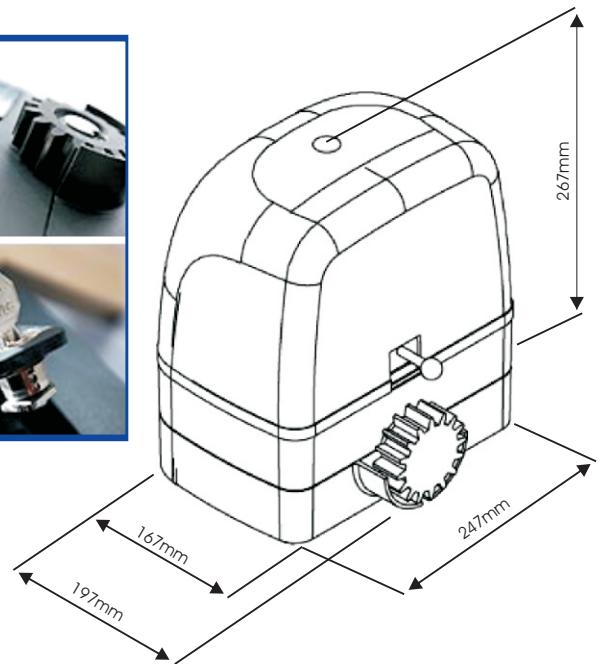




- ❖ Italian made electro-mechanical motor reducer suitable for sliding gates up to 800-kgs & 1000-kgs
- ❖ Domestic use only, 240-volts
- ❖ Features include; round shape, permanent lubrication and release key
- ❖ Conveniently the controls are housed inside the unit, under a 'ABS' cover
- ❖ Unit contains built in control board & receiver
- ❖ Appropriate for level ground areas

TECHNICAL DATA	CARRERA 800 kg	CARRERA 1000 kg
Supply Motor Voltage	230 V	230 V
Power Supply	240 V ac	240 V ac
Condenser	12.5 uF	12.5 uF
Motor Revolution Speed	1400rpm	1400rpm
Thermal Circuit Breaker	140 C	140 C
Lubrication	Grease	Grease
Speed (per minute)	10-mtrs	10-mtrs
Duty Cycle	40%	40%
Working Temperature	-20C / +55C	-20C / +55C
Weight	10 Kg	10.5 Kg



DIY CARRERA KIT:

