



Product Brochure



V9083

www.newtower.com.au

sales@newtower.com.au

03 9305 1400

newtower
gate accessories & automation

GENERAL STRUCTURAL FEATURES

- **Installation** on doors and automatic or manual gates
It can be installed either horizontally or vertically.
- **Power supply:** standard 12V C.A. (on request: 12V C.C., 24V C.A. or C.C.).
- **Zinc plated case, top and striker** corrosion and oxidation proof.
- **Cylinder:**
 - round, fix, standard, in brass (V9083) supplied with 3 nickel plated brass keys (item 015).
 - European profile, non standard; ring nut in nylon (V9083-V06-V90 external opening).
- **Rotating deadbolt.**

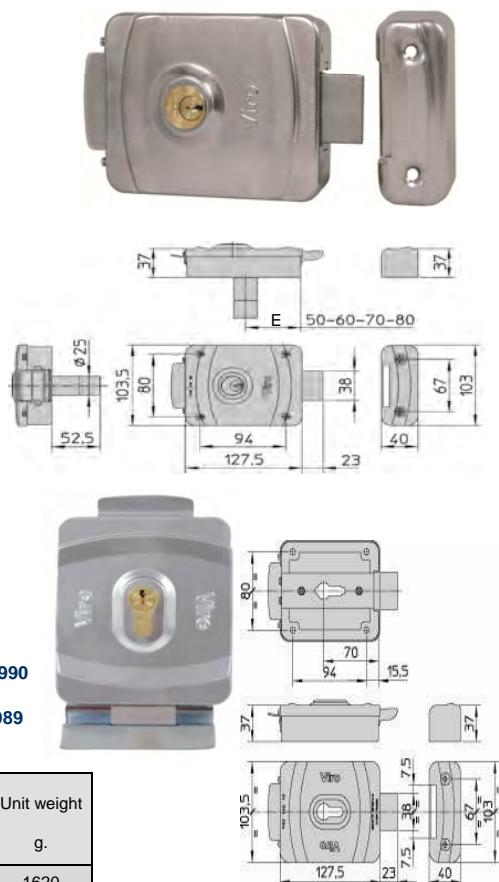
“V9083” WITH SERVICE AND SECURITY FUNCTION ADJUSTABLE BACKSET 50- 60- 70- 80 MM.

- **Single version**
- Interchangeable with the V90 (series 7920) and V83 (series 7910) electric locks.
- **The V9083 is supplied with the service function:** the lock opens with the electric impulse and only resets once the gate has been opened and then closed. It is therefore suitable for use with doorclosers and/or automation systems.
- **By simply removing an internal component, the V9083 acquires the security function.** The lock opens only when electric impulse and manual or automatic pressure are applied simultaneously. It is therefore not suitable for use with a doorcloser.
- It can be opened with a key from the outside, and with a key or electric impulse from the inside.
- **AISI 304 inox stainless steel high resistance and double tightness deadbolt.** The clearance between the deadbolt and the striker (+/- 7,5 mm) guarantees that the lock will work even if there is vertical adjustment between the lock and the striker (a common occurrence due to weather changes).
- Suitable for lightweight gates without ledge too, as the deadbolt get perfectly blocked at the end of the key rotation.
- Supplied with plate to be placed under the striker for further differences between the jamb and the gate.

SUPPLIED WITH : - Striker for horizontal installation
Item 9083.117
- For vertical installation, ask for the floor striker.
Item 9986 instead of the standard striker.

ON REQUEST : - For horizontal installation:
Galvanised steel roof-plate and stiker plate. **Item 9990**
- For vertical installation:
Galvanised steel roof-plate and stiker plate. **Item 9989**

REGISTERED PATENT



Item. N.	Adjustable backset mm.	Internal Cylinder (fixed)	External Cylinder (fixed)	Unit weight
	E	Item. N.	Item. N.	g.
9083	50-60-70-80	791	794	1620
9087	70	-	-	1450